

**NotePAC Ultra  
M220 / M230**

**Vehicle Docking  
User's Manual**

# Table of Contents

<b>1.0 Getting Started .....</b>	<b>2</b>
1.1 Welcome .....	1-2
1.2 Unpacking .....	1-2
1.3 Taking a Look at the vehicle Docking .....	1-3
1.4 Front Side View Mechanical Diagram .....	1-4
1.5 Rear Components.....	1-5
1.6 Top Components.....	1-6
1.7 Top Side View Mechanical Diagram.....	1-7
1.8 Bottom-Side Components.....	1-8
1.9 Bottom-Side Mechanical Diagram .....	1-9
1.10 Left & Right Side Views .....	1-10
<b>2.0 Installation Instructions .....</b>	<b>1-11</b>
2.1 Installing the Car DC Adapter .....	1-11
2.2 Electrical Guidelines .....	1-13
2.3 Engaging M220 with Vehicle Docking .....	1-15

## 1.0 Getting Started

### 1.1 Welcome

Congratulations on your purchase of the M220 Vehicle Docking. This manual will describe the Mechanical installation & hardware features of your vehicle docking plus give you a basic overview of the operation system and installed applications.

### 1.2 Unpacking

Check to be sure that your M220 Vehicle Docking package contains the following items:



Car DC Adapter x 1 pcs



DC Adapter  
Bracket x 1 pcs



Screw x 4 pcs



DC Power Cable x 1 pcs

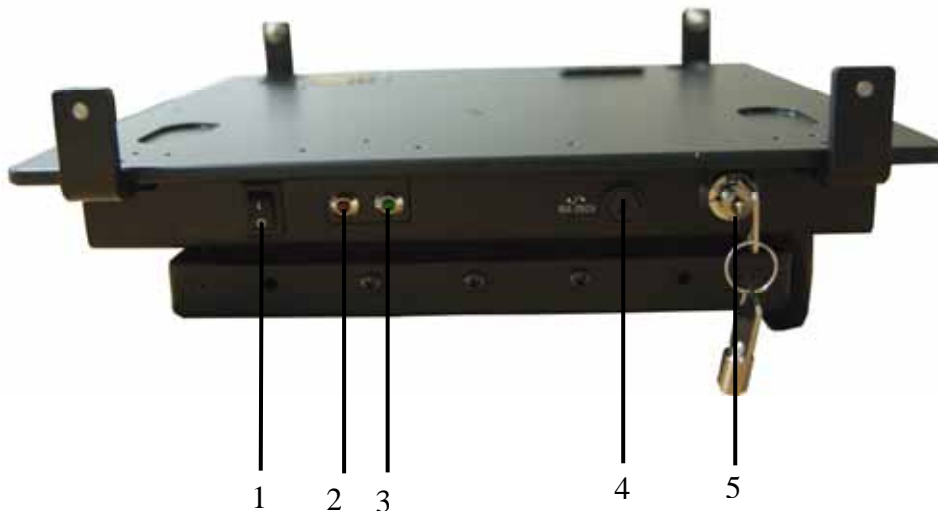


Key x 2 pcs

### 1.3 Taking a Look at the Vehicle Docking

This section identifies the external components of the Vehicle Docking and briefly describes the function of each component.

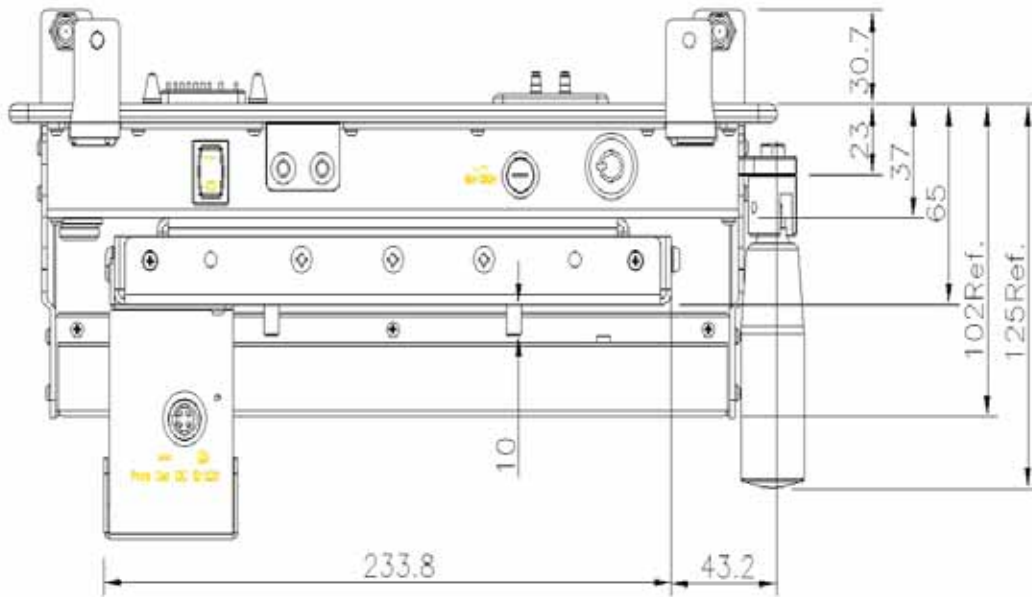
#### Front Components



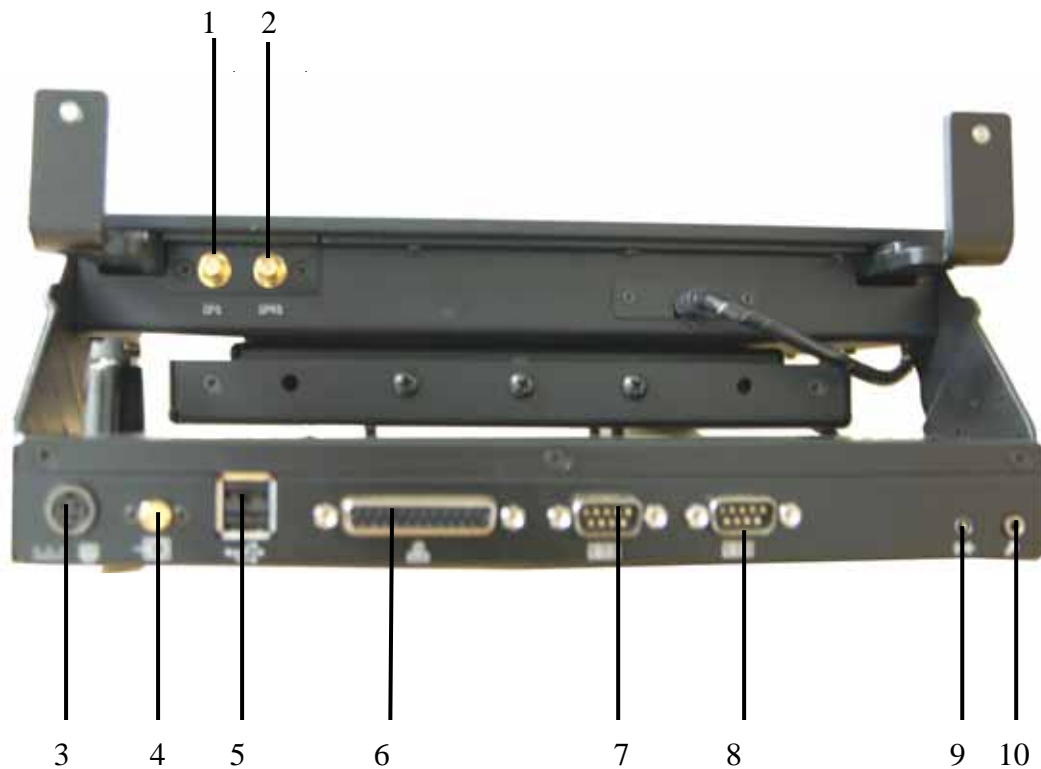
Ref	Component	Description
1	Power Switch	Turns the Vehicle Docking power ON and OFF
2	External Power Indicator	Show the current status of the external DC Power-in.
3	System Power Indicator	Show the current status of the System Power conductive between Vehicle Docking and M220.
4	Fuse	16Amp Fuse
5	Lock	Security & System protection Lock

#### 1.4 Front Side View Mechanical Diagram.

The Mechanical Diagram may provide a basic construction idea for the further installation with the vehicle pedestal.



## 1.5 Rear Components



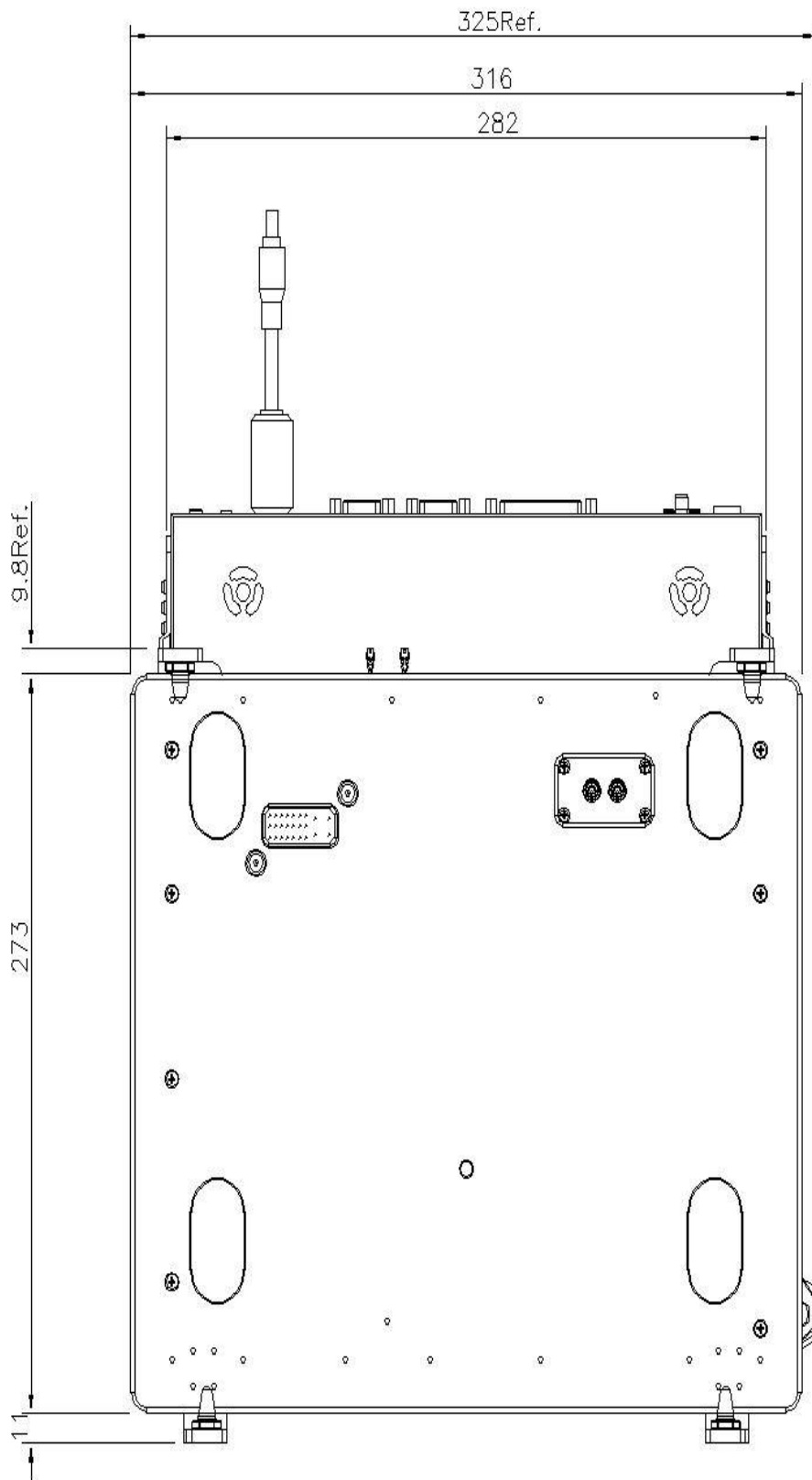
Ref	Component	Description
1	GPS Connector	Connects the GPS external antenna.
2	GPRS Connector	Connects the GPRS external antenna.
3	Power Connector	Connects the DC Car Adapter.
4	BNC Video Capture Connector	Connects the Video device with BNC interface, such as CCD Camera.
5	USB Ports	Each of the two ports connects a USB device.
6	Parallel Port	Connects a parallel device, such as printer
7	Serial Port	Connects a serial device.
8	Serial Port	Connects a serial device.
9	Audio Output Connector	Connects a set of headphones, external speakers with amplifier, an audio recording device, or an S/PDIF device such as a digital speaker set for digital audio output.
10	Microphone Connector	Connects an external microphone.

## 1.6 Top Components



Ref	Component	Description
1	Docking Connector (POGO)	For connecting to M220 System
2	RF Connector	For connecting to the GPS & GPRS of M220
3	Guide Pin	For orientating and engaging to M220.

## 1.7 Top Side View Mechanical Diagram



## 1.8 Bottom-Side Components

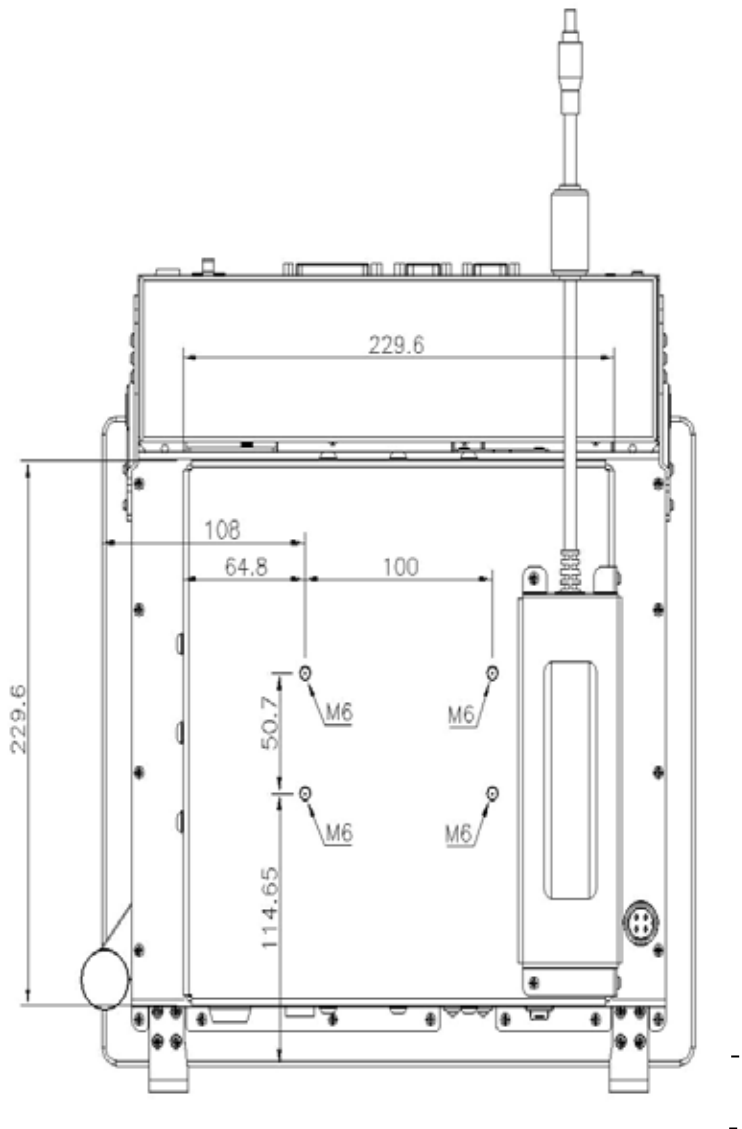


Ref	Component	Description
1	Port Replicator	Combine whole the External interface connectors.
2	Bolt	For the shock absorber and fixing to the pedestal.
3	Docking Power-in Connector	Connects the DC Car Adapter.

## 1.9 Bottom-side Mechanical Diagram

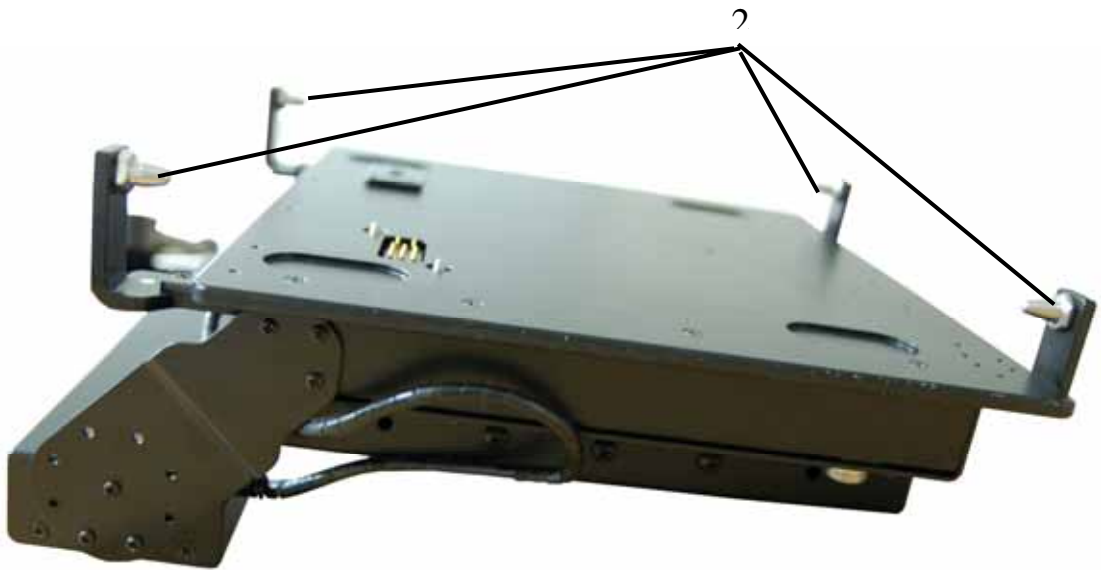
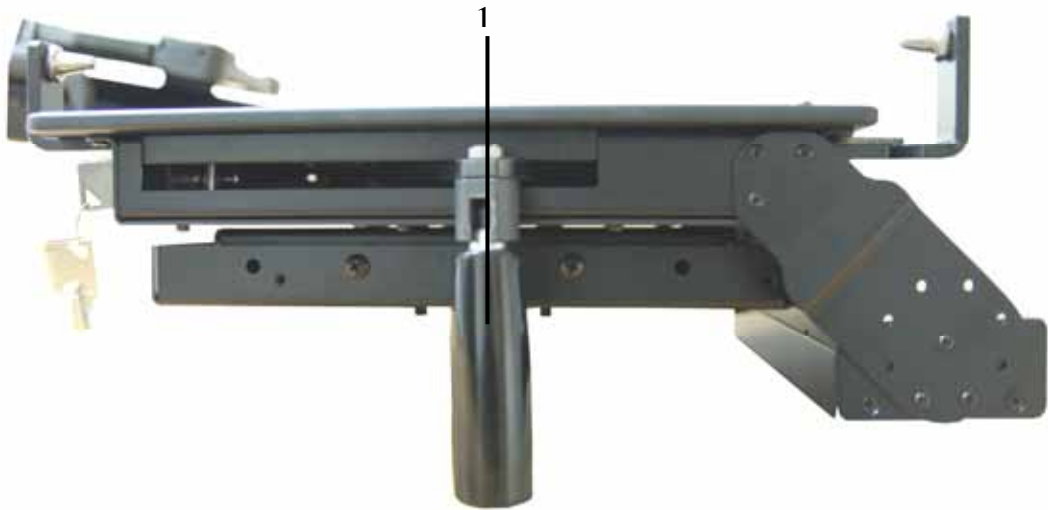
This mechanical diagram indicates the correct dimension for the Docking Adapter.

The dimension for the Pedestal Adapter has to match the dimension of Docking Adapter precisely.



**Caution: The dampers are made by rubber in order to ensure the reliability, we strong suggest replace them in every two years.**

## 1.10 Left & Right Side Views

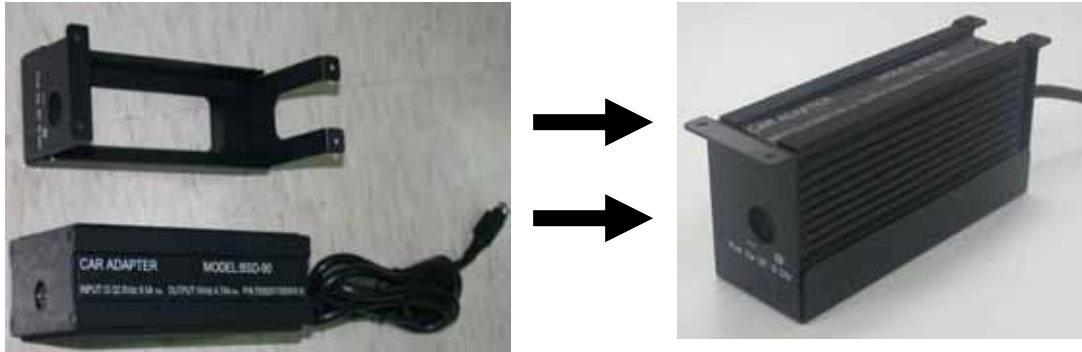


Ref	Component	Description
1	Docking Handle	Engages the M220 with Vehicle Docking
2	Guide Pin	For orientating and engaging to M220

## 2.0 Installation Instructions

### 2.1. Installing the Car DC Adapter.

1-1. To install the Car DC Adapter with DC Adapter Bracket.



**Caution: The power indicator (Green Light) has to face the top, Otherwise the power connector socket cannot match with socket hole:**



○  
Correct



✗  
Incorrect

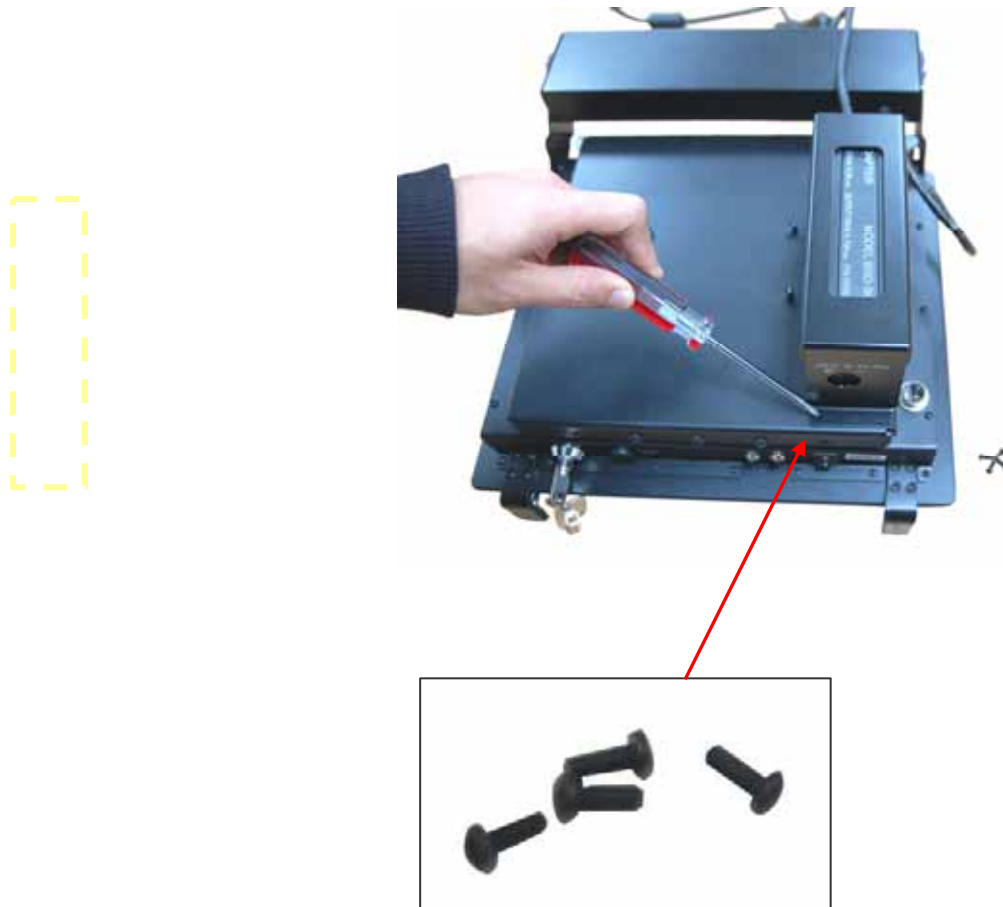


○  
Correct



✗  
Incorrect

1-2. To install Car DC Adapter assembly with Vehicle Docking by 4 Screws.



**Note:** Base on the construction of Vehicle Pedestal, the Car DC Adapter Assembly can be installed to Right side or Left side of the Vehicle Docking.

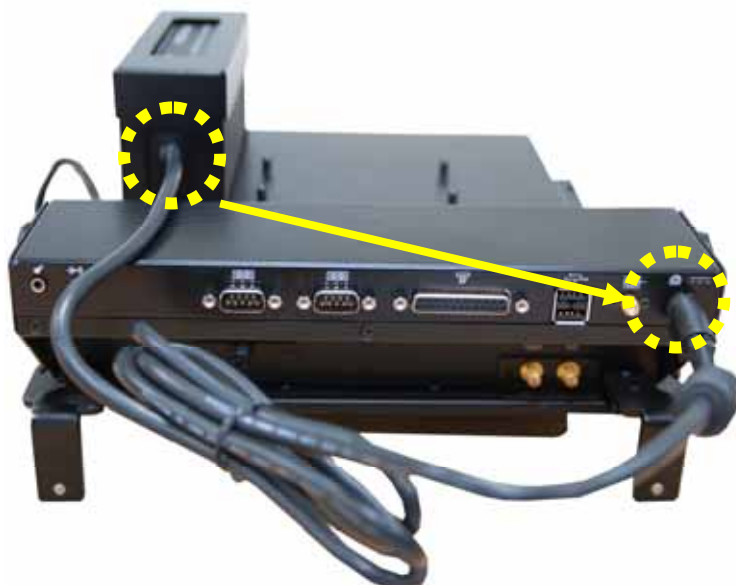
## 2.2 Electrical Guidelines

With the mechanical installation complete, connect the power cables.

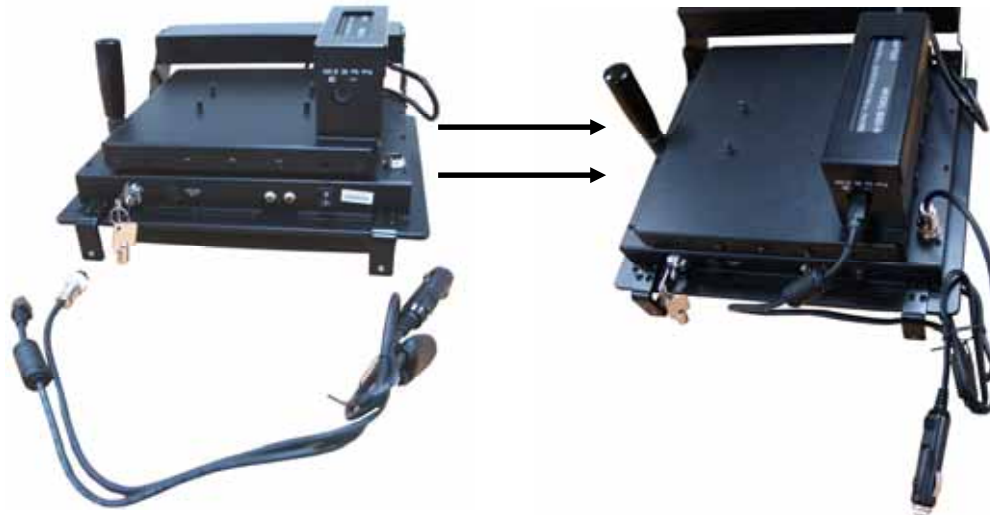
1. Plug the Car DC Adapter power cable into Port Replicator.



**Caution: “Port Replicator can only connect the power from Car DC Adapter”.**



2. Plug the DC Power Cable into the Car DC Adapter and Docking Power-in.



### 2.3 Engaging M220 with Vehicle Docking

With assembled Vehicle Docking, the M220 can engage with the Vehicle Docking.

**Caution: “The Software of Vehicle Docking Driver has to be installed before engage the computer with Vehicle Docking. Please refer to the bundle Driver CD for the detail of the Software installation”.**

1. Plug the DC Power cable into the vehicle internal power socket (Cigar-Lighter), and turn on the Power switch then the External Power Indicator (Red Light) glows.



2. Push the Docking Handle all the way open.



3.



4. Pull the docking handle all the way back tightly to engage the Vehicle Docking and M220.



5. If the Vehicle Docking and computer properly engaged, then System Power indicator (Green Light) glows as well.



6. Secure with the Key Lock.



**Caution: For the system production, please ensure the “Lock” has been precisely latched then Docking and Computer can fully connect.**