

Datasheet.

Features.

Extreme high sensitivity

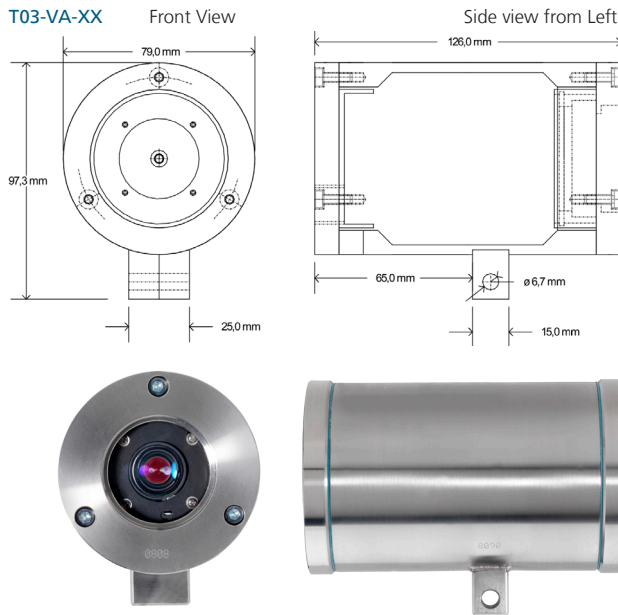
The ExCam niteZoom incorporates a newly designed 1/3-type Super HAD™ CCD II sensor that provides increased sensitivity compared to cameras featuring the 1/4-type Super HAD™ CCD.

Day/Night Function

The ExCam niteZoom features a Day/Night capability, which provides optimum sensitivity in both day and night shooting applications. As the scene illumination darkens, the infrared filter is automatically removed. The camera then switches to B&W mode enabling it to operate under a minimum illumination of 0.0004 lx (Auto ICR On).



Dimension.



Models.

T03- XX- X- XXX- X- X

- N = Normal temperature (0°C bis +50°C)
- L = Low temperature (-20°C bis +50°C)
- P = Plug BNC cable termination
- K = Terminal block cable termination
- = Connecting cable length in meters (005 bis 200)
- B = Execution in explosion group IIB
- C = Execution in explosion group IIC
- VA = Stainless steel housing

T03 = ATEX camera type No. 03

Data.



Electrical characteristics:

Camera:
Power supply: +12VDC to +30VDC
Reference power: +24VDC
Input current: 270mA to 540mA
Max. Power: 6,5W

Heating (optional only for T03-AL..):

Power supply: +12VDC to +24VDC
Reference power: +24VDC
Input current: about 1000mA
Max. power: 10W (VA)

System cable SKA01:

Outside Diameter: 8,5mm
Bending Radius: min. 150mm
Video: 1x75Ω Koax AWG 24, Cu shield
RS 232: 2x0,25mm² closed Cu shield
Power supply camera: 2x0,75mm²
Power supply heating: 2x0,75mm²

Mechanical characteristic:

Housing material: Stainless steel
Protection level: IP 67 (IEC / EN 60529)
Weight: T03-VA-XX: about 2100g

Range of temperature:

T03-XX-X-XXX-X-N (without Heating) 0°C to +50°C
T03-XX-X-XXX-X-L (with Heating) -20°C to +50°C

Camera sensor:

Sensor: 1/3-type Super HAD CCD II
Effective sensor resolution: PAL: 440.000 Pixel (ca. 752 x 582)
NTSC: 380.000 Pixel (ca. 768 x 494)
Horizontal resolution: PAL: 530 TV lines wide end
NTSC: 530 TV lines wide end

Objektiv:

AF-Zoom objektiv: 10 x opt. / 4 x dig.
Focal (f): 5,1mm to 51,0mm
Angle of view: 52° (wide) to 5,4° (tele)
Iris: F1,8 to F2,1
Minimal illumination: 1/4 s, 1/3 s mode & ICR on: 0.0004 lx
Recommended illumination: 0,25 to 100.000Lx
Minimal object distance: 150mm (wide)
800mm (tele)



Electronic functions:

Electronic shutter
Serial control by VISCAVRS-232
Composite (CVBS) video output 1Vss
Backlight compensation (BLC)
IR Cut Filter (IRC)
Auto white balance
Aperture control (APC)
DSP
Signal-to-noise ratio: ≥50 dB

Explosion protection:

Declaration of conformity :
DIN EN 60079-0:2006
DIN EN 60079-1:2004
DIN EN 61241-0:2006
DIN EN 61241-1:2004

EC type examination certificate: TÜV 09 ATEX 7697 X

Marking according to directive 94/9/EG:
 II 2G (zone 1 and 2)
 II 2D (zone 21 and 22)

Explosion protection (gas): Ex d IIC T6 or Ex d IIB T6
Explosion protection (dust): Ex tD A21 IP67 T80°C
protection level: IP 67 (IEC / EN 60529)

Equipment.

Mounting.



Wall and ceiling mount adapter
for T03-VA-XX and T03-AL-XX
Pan: 360°
Tilt: 90°

Controlling and viewing. Hardware.

Videoserver AXIS

..241S (Single Port – one ExCam)
..241Q (Quad Port –four ExCam)



Power supply 15W-24V

International plug in power supply
Power input: 90 - 264 V/AC
Power supply for camera and heating



VISCA® control device

Control device for up to 6 ExCam



Company Info: Tel: +3114-370030
Comm -Co Fax: +3114-370029
Kreekzoom 9 E-mail: Info@comm-co.com
4561 GX Hulst Website: http://www.comm-co.com

www.atexshop.com
www.ruggedshop.nl
www.webpainter.nl
www.eyecctv.nl