



Lumiglas Luminaires Series USL05-Ex,  II 2G EExdIIC T3...T6
 II 2D IP67 T195° C...T80° C

- **For mounting on sightglass fittings**
The unit is a versatile sightglass luminaire to Ex standard which is ideally suited for combined sight and light port (single flange version) as well as separate ports (2 flange version).
- **Extremely compact, high lighting power:**
Dazzle free illumination: suitable for circular sightglass fittings to DIN 28120/DIN 28121 standard or similar as well as for screwed sightglass fittings equivalent to DIN 11851 and flow indicators. Nominal sizes, depending on fitting: from DN 25.
- **Large light exit through appropriately designed screwed lens ring unit**
- **Application:** For internal illumination of flow indicators, pipelines, laboratory plant and other normally totally enclosed vessels and reactors in explosion hazardous areas designated Zone 1 and 2, and 21 and 22.
Suitable for use in food processing.
- **Protection index:**
dust and water jet tight IP65 to EN 60 529/DIN VDE 0470 part 1
- **Operating conditions:** independent of vessel internal pressure/vacuum. On no account may the luminaire be used as a closure/means of sealing of a (pressure) vessel i. e. without a suitable sightglass fitting.
- **Lumiglas luminaires of this series may be used at ambient temperatures of up to 60° C.**
- **Certification:**
- EC-Type-Examination Certificate PTB 98 ATEX 2200
 II 2G EEx d IIC T3/T4/T6 bzw. 120° C
- EC-Type-Examination Certificate EXAM BVS 06 ATEX E 010
 II 2D IP67 T195° C or T80° C
- **Ignition protection class:** EEx d 'pressure tight enclosure' to EN 50018
- **Explosion group:** II C (all explosion groups; including explosion group II A und II B)
- **Temperature class:** up to T6 or T80° C (depending on power)
- **Easy electrical connection** (via works fitted cable trail)
- **Electrical data and parts:** in accordance with EC-Type-Examination Certificate
- **Electric supply:** alternating or direct current, depending on luminaire model
- **Operating voltage:** - without integral transformer:
12 V... halogen lamp 5 W or 20 W
24 V... halogen lamp 20 W
- with integral transformer:
120 V... halogen lamp 5 W
230 V... halogen lamp 5 W

- **Screwed opening ideally suited for lamp change**
- **Connecting cable:** works fitted cable resin cast in screwed cable gland for pressure tight cable entry; cable tail 2 m (standard), 5, 10 or 20 m long
- **Simple mounting by means of special bracket provides practical installation**



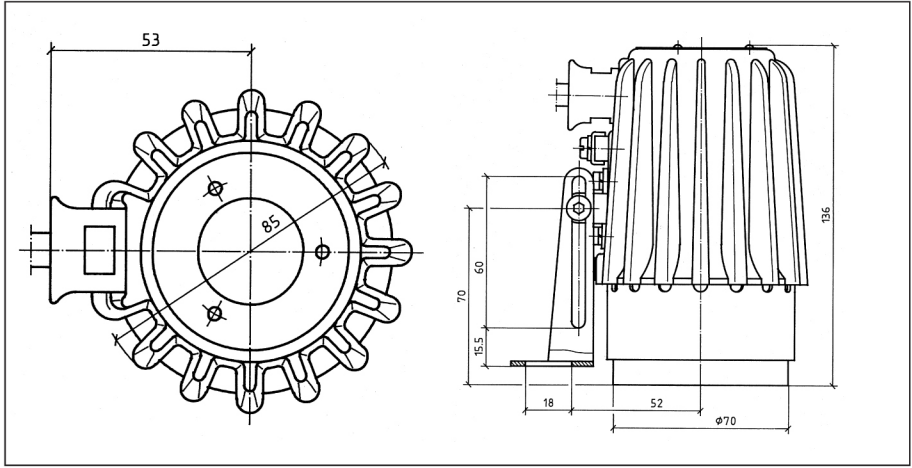
Lumiglas luminaire series USL05-Ex fitted with hinged bracket



Lumiglas luminaire series USL05-Ex (fitted to combined light and sight port)

- **Accessories:**
 - mounting supports/luminaire fixture: hinged bracket, part no. 0354.014.00
 - adapter flange, part no. 1356.010.00
 - claw spanner for lens ring to open luminaire, part no. 6816.001.00
 - EEx time delay actuator (external): see data sheet 09.02

• Dimensions and electrical data for Lumiglas luminaires series USL05-Ex



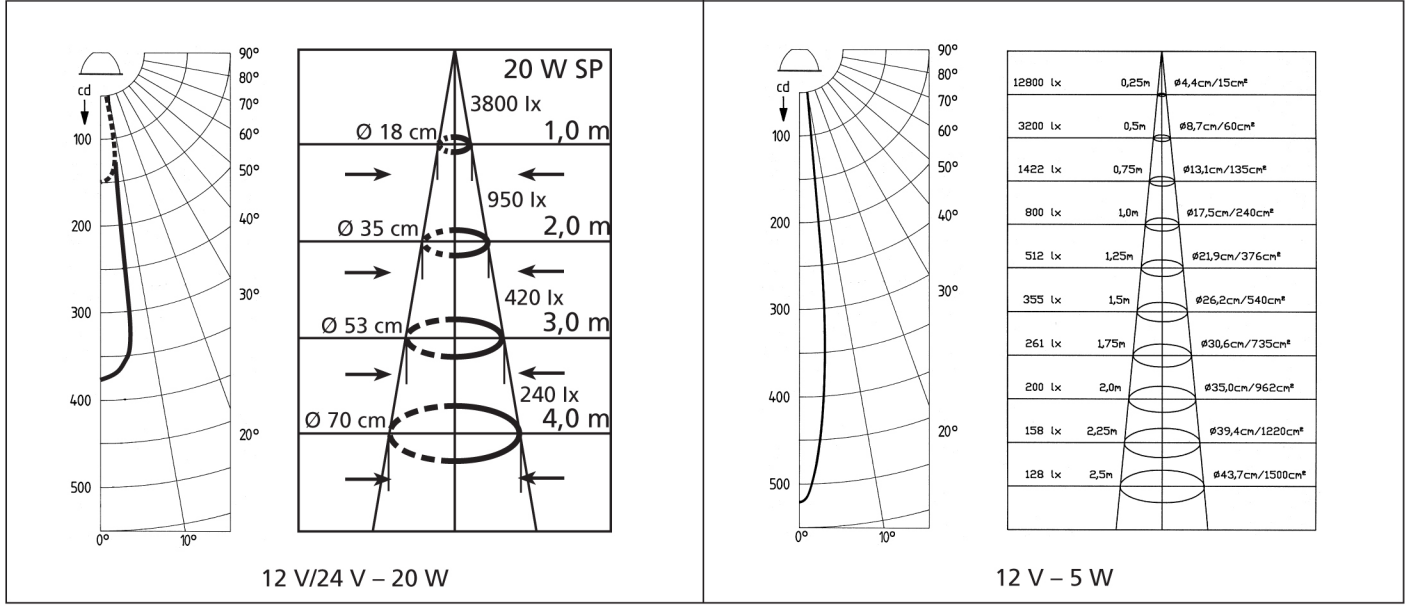
• Parts, construction and materials:

- Luminaire body: corrosion resistant die cast aluminium alloy GK-ALSi10Mg
- Cable entry gland: with resin cast (potted) electric cable tail 2 m, e. g. Sinothem 110 H05GG-F 3G 1,5 mm²
- Ground conductor terminal: ready wired internally in luminaire body and connected to terminal on outer side of body
- Light outlet: integral unit comprising aluminium alloy ring and glass disc. Seal: Viton
- Fastening: see under 'Accessories'

• Weight:

- 0.8 kg (without integral transformer)
- 1.0 kg (with integral transformer)

• Light distribution (cd) and illuminating intensity (lx)



• Electrical connection data:

Item	Lumiglas luminaire model USL05-Ex	part no.	net V	integral transformer	halogen lamp			temperature class at max. ambient temp.			
					socket	voltage	part no.	G 40° C	D 40° C	G 60° C	D 60° C
1	(12 V) 5 W	3540.031.00	12 ≈	-	G 4	12 V/5 W	3232.221.00	T6	T80°C	T4	T130°C
2	(120 V/12 V) 5 W	3540.032.00	120 ~	with	G 4	12 V/5 W	3232.221.00	T6	T80°C	T4	T130°C
3	(230 V/12 V) 5 W	3540.033.00	230 ~	with	G 4	12 V/5 W	3232.221.00	T6	T80°C	T4	T130°C
4											
5	(12 V) 20 W ¹⁾	3540.035.00	12 ≈	-	G 4	12 V/20 W	3232.229.00	T4	T130°C	T3	T195°C
6	(24 V) 20 W	3540.037.00	24 ≈	-	G 4	24 V/20 W	3232.222.00 ¹⁾	T4	T130°C	T3	T195°C
7											
8	(24 V) 20 W ²⁾	3540.038.00	24 ≈	-	G 4	24 V/20 W	3232.206.00 ²⁾	120° C	T120°C		

¹⁾ reflector lamp ²⁾ lamp with separated reflector

• Ordering information, e. g.:

- Lumiglas luminaire model USL05-Ex, 12 V/20 W, part no.: 3540.035.00
- Luminaire fastening: hinged bracket, part no.: 0354.014.00
- Claw spanner, part no.: 6816.001