

TYPES B151/B192/C 193/C335

KIEKENS **heavy duty** **industrial vacuum cleaners**

**for an improved
environment**



 **KIEKENS**
IND. VACUUM TECHNOLOGY

KIEKENS PRODUCTS

leaders in industrial vacuum cleaning technology



Kiekens Products

The industrial vacuum cleaners of Kiekens Products are eminent quality products with a very long life. The ergonomically designed vacuum cleaners are characterised by a very high filtration and a strong suction power with a low noise level. These benefits contribute to a dust-free and safe working environment.

Heavy Duty

Heavy Duty industrial vacuum cleaners are very robust, compact cleaners with large suction capacity through a powerful by-pass, single or three phase motor. The heavy duty cleaners have integrated easy emptying pre-separators, large fixed filter bags with a capacity of 70 or 105 litres. The machines are approved by TÜV, dust class M, according to EN 60335-2-69. The machines are robustly manufactured with a steel housing and a forced motor cooling guaranteeing a long working life.



Applications

The industrial vacuum cleaners can be utilised in many different areas of industry, such as general cleaning of machines, workshops, garages, warehouses, etc. where dry medium/coarse dust has to be extracted. The heavy duty machine is the best machine for these jobs.





The inclusion of a PNF-filter in combination with a disposable filterbag, which also serves as a supplementary filter.



The disposable filterbag can be easily removed from the machine.



For large surfaces the fixed fiber nozzle can easily be fitted to the standard unit.



A basket for tool storage is available as an accessory.

preseparator chamber, effective coarse particle separation

preseparator for the collection of coarse and sharp particles, easy to empty and providing protection of the PNF-filter, prolonging the filtercleaning intervals

combined outlet opening for clean air

highly efficient and powerful suction units, 3 x 1000 watt (C193), 2 x 1000 watt (B192)

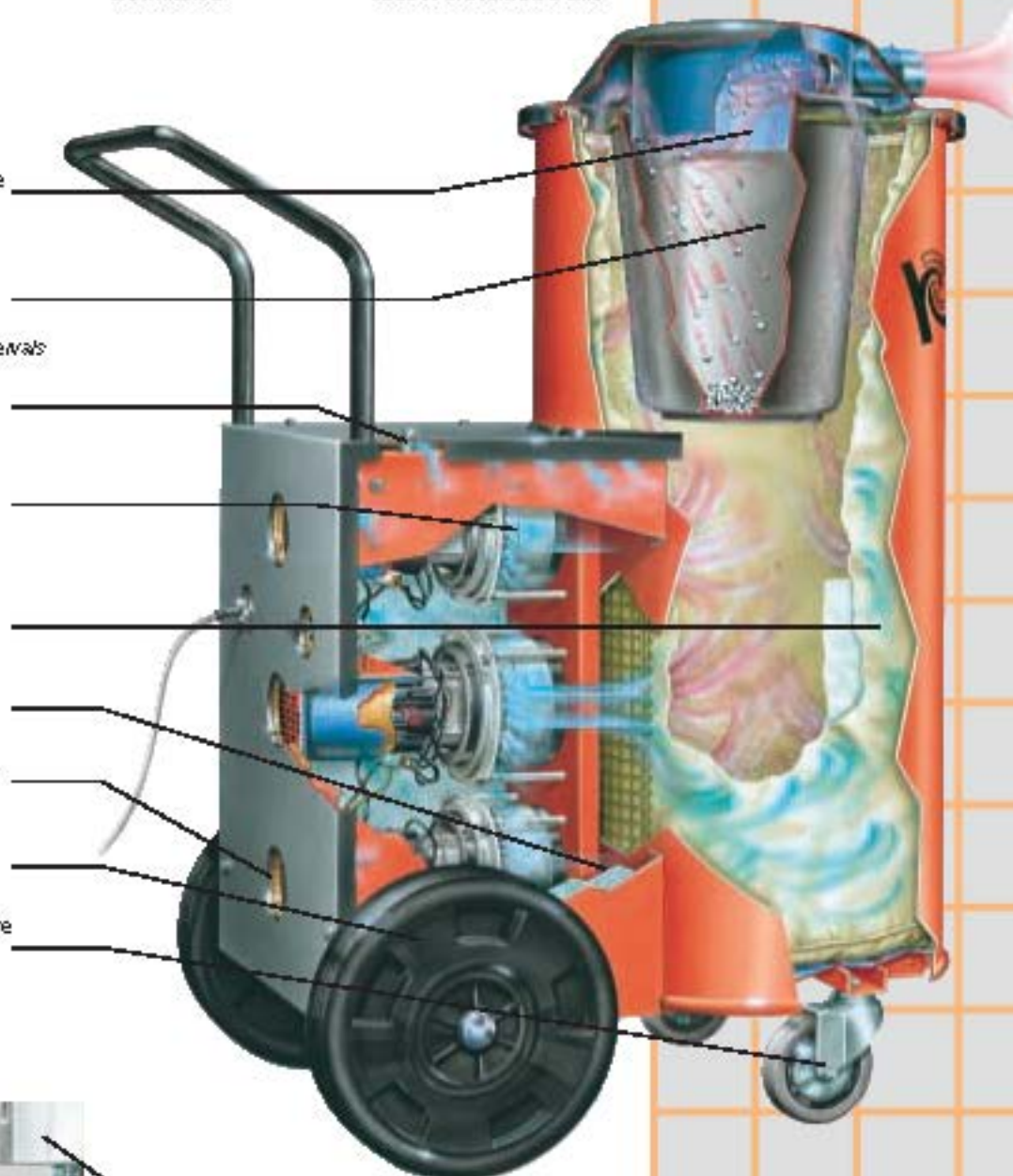
PNF-filterbag, permeability < 0,1 %, suitable for dry matter

standard sound insulation

inlet opening for the forced cooling air supply for the units

large wheels, \varnothing 300 mm, very suitable for uneven floors

easily manoeuvred due to large \varnothing 100 mm swivel castors



on/off switch, direct on-line, with thermal overload protection

concealed outlet opening for clean exhaust air

long-life drive belt

hose connection, \varnothing 45 mm, can be used in case of blowing in combination with coupling 3015805

a three stage, high efficient turbo compressor

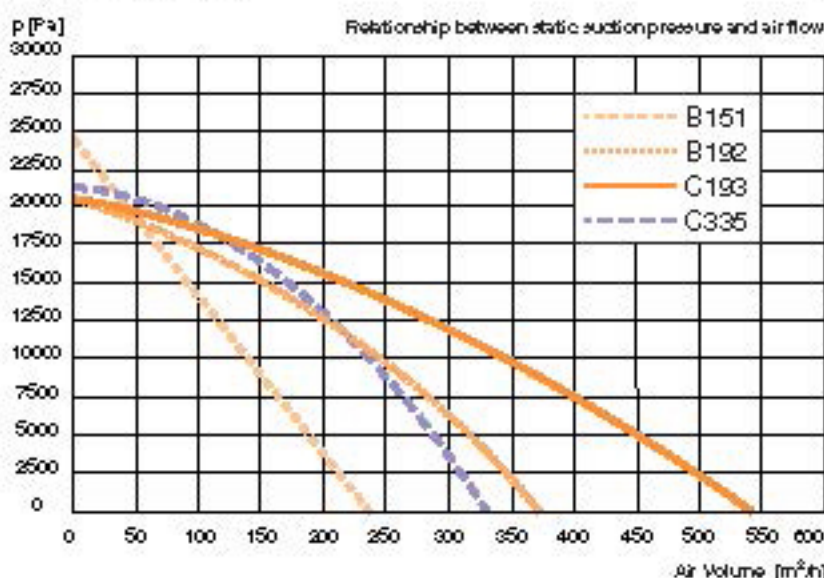
a three phase motor, 2,2 kW, 400 V/50 Hz

SPECIFICATIONS	B 151	B 192	C 193	C 335
motorpower [W]	1 x 1.500	2 x 1.000	3 x 1.000	2.200
turbo-compressor	2-stage	2-stage	2-stage	3-stage
Suctionpressure	24.500	20.500	20.500	21.000
air flow [m ³ /h]	240	370	540	330
voltage [V]/[Hz]*	230/50/60	230/50/60	230/50/60	400/50/60
protection level	IP 44	IP 44	IP 44	IP 55
electrical protection class	I	I	I	I
electrical connection	10 m cable with Euro-plug			-
motor cooling	forced			forced
noise level [dB(A)]**	70	70	73	77
filter area [m ²]	1.0	1.0	1.4	1.0
permeability	< 0,5%	< 0,1%	< 0,5%	< 0,1%
dustcontainer capacity [l]	70	70	105	70
preseparator	15	15	15	15
hose connection [mm]	45	45	60	60
weight [kg]	45	47	57	69
dimensions l x w x h [mm]	745 x 480 x 1.115	960 x 530 x 900	960 x 530 x 1.150	900 x 550 x 900

* other voltages on request. ** measured at the inlet. *** measured at 1 m.



Approved by TÜV, dustclass M according to EN 60335-2-69.



A number of accessories suitable for the Heavy Duty industrial vacuum cleaners.

When provided with an extension piece, the machine becomes extra suitable for large volumes of materials.



COMPANY INFO:
 COMM-CO
 KREEKZOOM 9
 4561 GX HULST
 THE NETHERLANDS

WWW.ATEXSHOP.COM
WWW.RUGGEDSHOP.NL
WWW.WEBPAINTER.NL
WWW.WAVECOM.COM
WWW.EYECCTV.NL

TEL: +31114-370030
 FAX: +31114-370029
 E-MAIL: INFO@COMM-CO.COM
 WEBSITE: [HTTP://WWW.COMM-CO.COM](http://WWW.COMM-CO.COM)
 WEBSHOP: [HTTP://WWW.ECOMMESHOP.COM](http://WWW.ECOMMESHOP.COM)

