

## Lumiglas Luminaire Type ESL 26-Ex

**II 2G Ex de IIC T3/T4**  
**II 2D Ex tD A21 IP67 T195°/T130°C**

### • For mounting on sight glass fittings

This Ex-type sight glass luminaire is designed for universal applications in potentially explosive environments. It is ideal for use in combined sight and light-glass arrangements, either as a single flange version or with two separate flanged ports.

### • Compact yet powerful:

Dazzle-free illumination; for use with circular sight glass fittings to DIN 28120/DIN 28121 or similar, with screw-type sight glass fittings in compliance with DIN 11851, and in visual flow indicators.

### • Optimum screw-in lens design ensures maximum light efficiency

### • Application:

For illuminating the interior of tanks, hoppers, silos, agitators and other – normally closed – vessels as well as visual flow indicators in **potentially explosive environments**.

**Gas: Zones 1 and 2; Dust: Zones 21 and 22.**

Suitable for use in food processing industries.

### • Protection: IP 65 and IP 67 to DIN EN 60529

### • Operating conditions: Independent of the internal pressure/vacuum in vessel. On no account should a sight glass luminaire be used on its own to close a vessel port or to replace the cover flange or the sight glass/luminaire assembly.

### • Lumiglas luminaires of this series are approved for use in ambient temperatures of up to 60°C, depending on the lamp bulb fitted.

### • Technical data Ex protection:

This luminaire meets the essential safety and health requirements by complying with the regulations for

#### a) Gas

EN 60079-0: 2006 General requirements  
EN 60079-1: 2007 Flame-proof Enclosure  
EN 60079-7: 2007 Increased Safety (relates to terminal box)  
Explosion group: IIC (including IIA and IIB)  
Temperature class: T1 to T4 (depending on wattage)

#### b) Dust

EN 61241-0: 2006 General Requirements  
EN 61241-1: 2004 Protection by Enclosures  
Temperature class: (depending on wattage)

### • EC type-examination certificate: EC Type-Examination Certificate BVS 08 ATEX E 138

**II 2G Ex de IIC T3/T4**  
**II 2D Ex tD A21 IP67 T195°/T130°C**

### • Voltage type: Alternating/direct current, depending on lamp

### • Operating voltage:

#### without integrated transformer:

12 V... Halogen lamp 20 W, 35 W or 50 W  
24 V... Halogen lamp 20 W or 50 W  
230 V... Halogen lamp 50 W

#### with integrated transformer; PTC-protected

120 V... Halogen lamp 12 V/20 W  
230 V... Halogen lamp 12 V/20 W  
240 V... Halogen lamp 12 V/20 W

### • Straightforward electrical connection via integrated terminal box. Simple lamp replacement thanks to optimal screw ring design.

CE 0158

Data Sheet 07.26



Stainless steel Lumiglas luminaire, type ESL 26-Ex

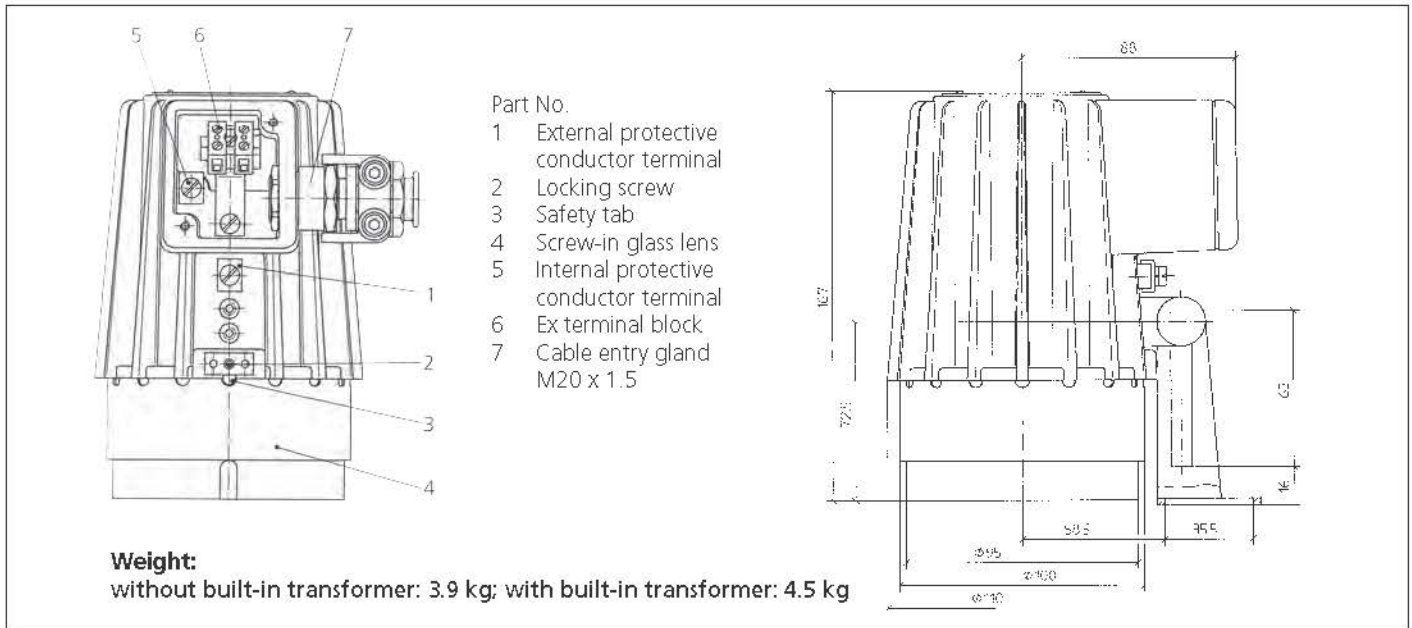


Application as combined sight and light port on a sight glass fitting acc. to DIN 28120; mounted by way of a hinged bracket

### • Type ESL 26-Ex fits the following nominal sizes:

- circular sight glass fittings to DIN 28120, DIN 28121 and visual flow indicators; mounting on the cover flange: from DN 50 up
- screw-type sight glass fittings similar to DIN 11851; mounting on or below the nut:
  - DN 65, 80, 100: on flanged adapter collar
  - DN 80, 100, 125: on hinged bracket
  - DN 80 und 100: either on flanged adapter collar or hinged bracket

• **Dimensions and electrical data for stainless steel Lumiglas luminaires, series ESL 26-Ex, with integrated terminal box:**



• **Components and materials:**

- Body of luminaire: Stainless steel 1.4404 (316LF), polished
- Fastening components: Stainless steel

• **Connecting data: Temperature classification and electrical parameters (see also EC Type-Examination Certificate)**

No.	Type ESL 26-Ex	Part No.	Vol- tage	Built-in transf.	Halogen lamp*		Ambient temperature range			
					Voltage	Socket	$-20^{\circ}\text{C} \leq T_a \leq +40^{\circ}\text{C}$		$-20^{\circ}\text{C} \leq T_a \leq +60^{\circ}\text{C}$	
1	(12 V) 20 W	3540.801.00	12 ≈	without	12 V/20 W	GY6.35	2G T4	2D T130°C	2G T4	2D T130°C
2	(24 V) 20 W	3540.803.00	24 ≈	without	24 V/20 W	G4	2G T4	2D T130°C	2G T4	2D T130°C
3	(120 V/12 V) 20 W	3540.808.00	120 ~	with	12 V/20 W	GY6.35	2G T4	2D T130°C	2G T4	2D T130°C
4	(230 V/12 V) 20 W	3540.810.00	230 ~	with	12 V/20 W	GY6.35	2G T4	2D T130°C	2G T4	2D T130°C
5	(240 V/12 V) 20 W	3540.811.00	240 ~	with	12 V/20 W	GY6.35	2G T4	2D T130°C	2G T4	2D T130°C
6	(12 V) 35 W	3540.816.00	12 ≈	without	12 V/35 W	GY6.35	2G T4	2D T130°C	-	-
7	(230 V) 40 W	3540.821.00	230 ≈	without	230 V/40 W PAR 20	E14	2G T3	2D T195°C	-	-
8	(12 V) 50 W	3540.826.00	12 ≈	without	12 V/50 W	GY6.35	2G T3	2D T195°C	-	-
9	(24 V) 50 W	3540.831.00	24 ≈	without	24 V/50 W	GY6.35	2G T3	2D T195°C	-	-
10	(230 V) 50 W	3540.834.00	230 ≈	without	230 V/50 W Hi-Spot	GZ10	2G T4	2D T130°C	-	-
11	(230 V) 50 W	3540.836.00	230 ≈	without	230 V/50 W PAR 20	E27	2G T3	2D T195°C	-	-

**Order data** (\*please specify if flood reflector is preferred):

e. g. Lumiglas Luminaire ESL 26-Ex 230 V/12 V 20 W, Part No. 3540.810.00; with accessory: hinged bracket, Part No. 0354.016.00

• **Accessories:**

No.	Component	Part No.
1	Stainless steel mounting (hinged bracket) for luminaire	0354.016.00
2	Stainless steel mounting (flanged adapter collar) for luminaire	1356.015.00
3	Lumiglas timer module, integrated, for time-related illumination, 5 min.	Please request data sheet 09.01
4	Lumiglas timer module, Ex-timer switch, external, for time-related illumination	Please request data sheet 09.02
5	Claw spanner for screw-in lens, for opening the lamp	6805.001.00

All dimensions in mm unless stated otherwise. Subject to change without prior notice.  
WW 06.09 3755.193

**COMPANY INFO:**  
 COMM - CO  
 KREEKZOOM 9  
 4561 GX HULST  
 THE NETHERLANDS  
 TEL: +31114-370030  
 FAX: +31114-370029  
 E-MAIL: INFO@COMM-CO.COM  
 WEBSITE: HTTP://WWW.COMM-CO.COM  
 WEBSHOP: HTTP://WWW.ECOMMESHOP.COM

WWW.ATEXSHOP.COM  
 WWW.RUGGEDSHOP.NL  
 WWW.WEBPAINTER.NL  
 WWW.WAVECOM.COM  
 WWW.EYECCTV.NL