

GB Wolf ATEX Torch Range
Operation and Maintenance
Instructions - please retain

EC Declaration of Conformity

The Wolf ATEX Torch Range meets all relevant provisions of the 94/9/EC (ATEX Equipment) Directive by virtue of the issued EC Type Examination Certificate, demonstrating compliance with all relevant harmonised standards and essential health and safety requirements.

Wolf ATEX torches are self contained primary cell powered flashlights/torches, moulded in high impact plastic, approved as Group II, Category 2 equipment for use in zone 1 & 2 potentially explosive gases, vapours, mists and dusts where approval code temperature class of specific models apply. For detailed information on applicable codes with battery and bulb options, see attached table.

- Do not open torch in Ex Areas**
- Do not mix cells**
- Do not use rechargeable cells**
- Damaged equipment should be repaired before further use**

Notified Body:
 Baseefa Ltd., Rockhead Business Park,
 Staden Lane, Buxton, SK17 9RZ, UK.
 Notified Body No. 1180

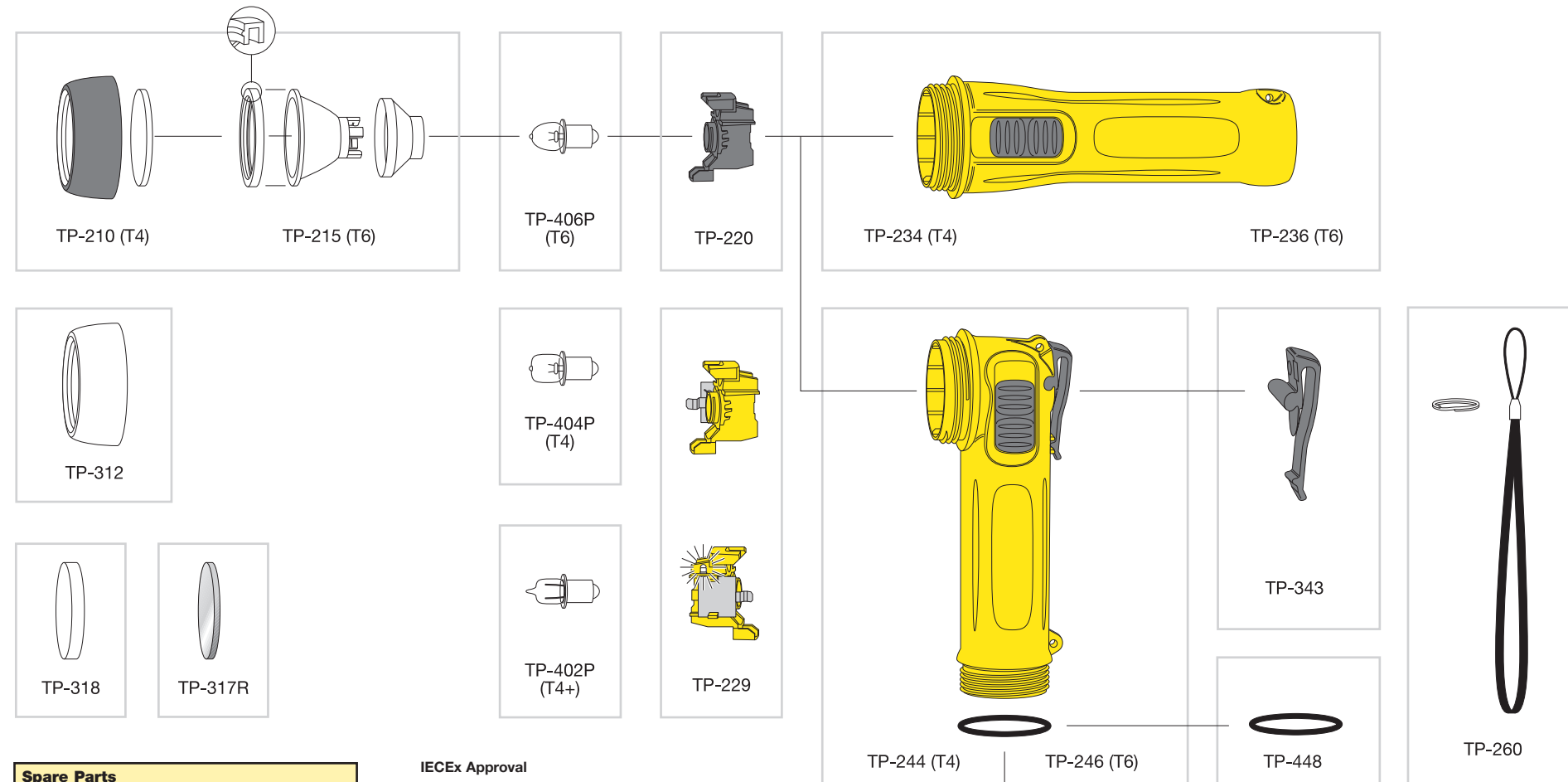
EC Type Examination Certificate:
BAS 02 ATEX 2220X

Harmonised standards applied:
 EN60079-0:2006, EN60079-7:2007, EN60079-11:2007,
 EN61241-0:2006, EN61241-1:2004

Ingress protection level: **IP67** to EN60529:1992

The product is CE marked showing compliance with all relevant EC directives.

Alex Jackson - Technical Director
 Wolf Safety Lamp Company Ltd



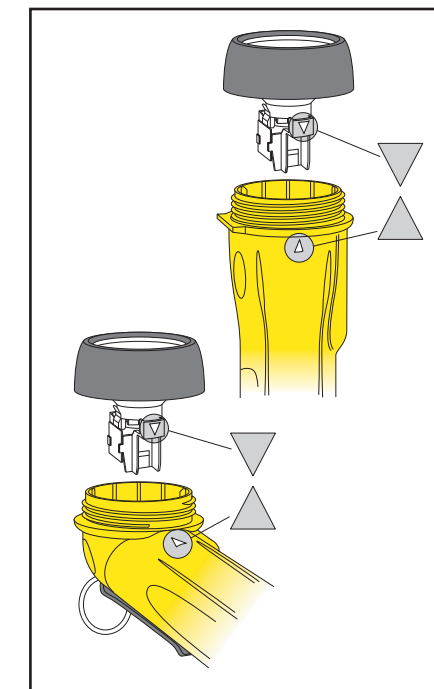
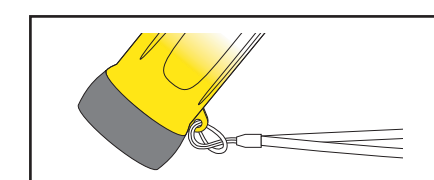
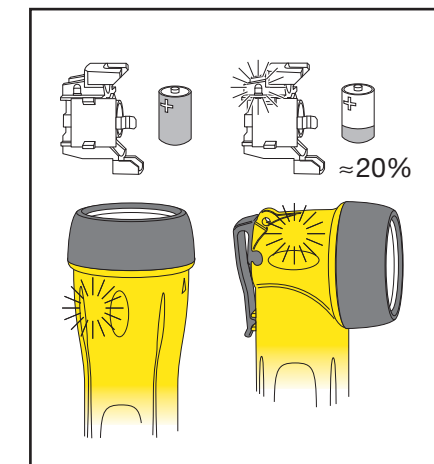
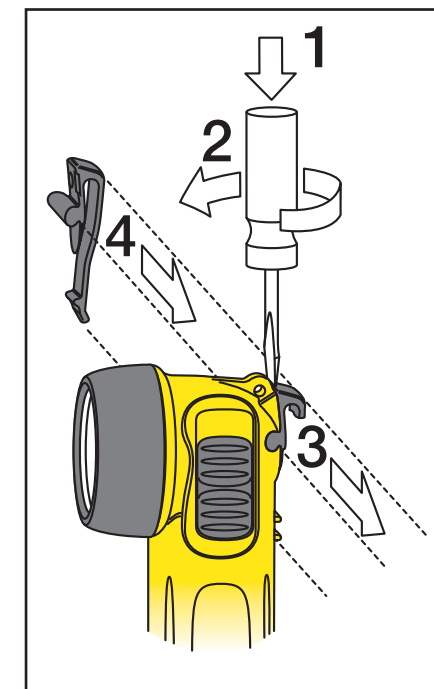
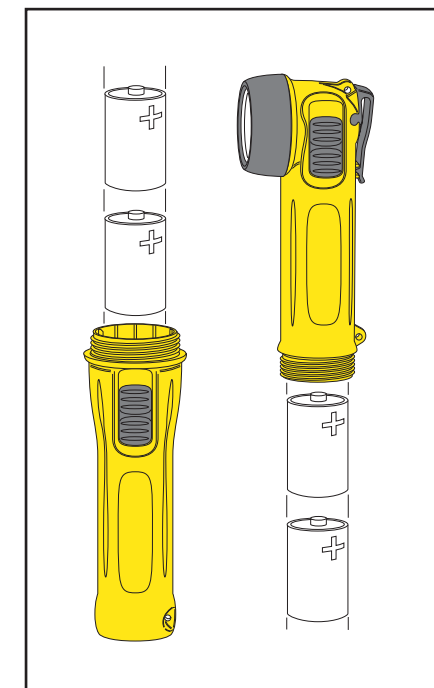
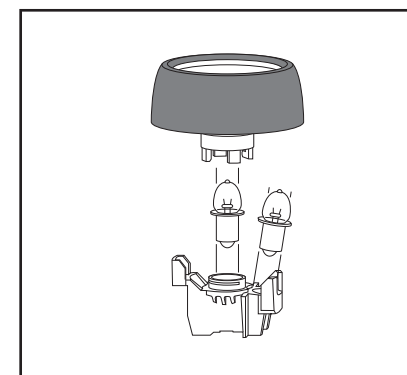
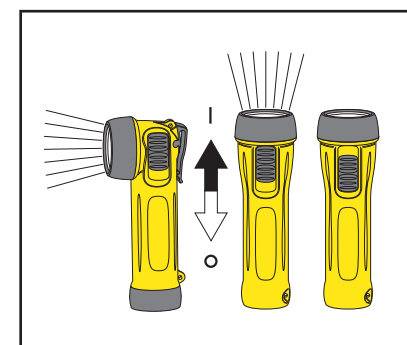
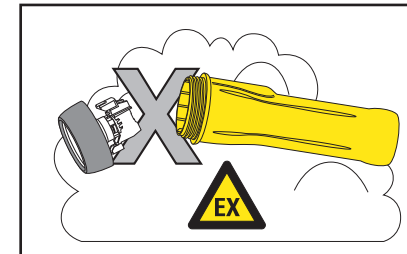
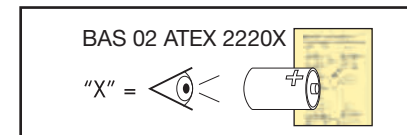
Spare Parts	
TP-210	T4 lens ring assembly
TP-215	T6 lens ring assembly
TP-406P	T6 bulb (pack of 2)
TP-404P	T4 bulb (pack of 2)
TP-402P	T4 bulb halogen (pack of 1)
TP-220	bulbholder assembly
TP-229	bulbholder assembly with LED indicator
TP-234	T4 straight torch body assembly
TP-236	T6 straight torch body assembly
TP-244	T4 right-angle torch body assembly
TP-246	T6 right-angle torch body assembly
TP-343	clip moulding
TP-448	base 'o' seal
TP-250	end cap assembly
TP-260	wrist strap & ring
T-20	R20 cell
H-20	LR20 cell
TP-312	Lens ring photoluminescent
TP-317R	Polycarbonate lens, red
TP-318	Glass lens, 4mm

IECEx Approval
 Models TS-24, TS-24+, TR-24, TR-24+
 IECEx Scheme Certificate Number: **IECEx TSA 05.0017X**
 Code: **Ex e ib I/II C T4/T6 IP67 / Ex tD A21 T95**
 IEC Standards Applied: IEC 60079-0:2000,
 IEC 60079-11:1999, IEC 60079-7:2001, IEC 61241-0:2004,
 IEC 61241-1:2004
 Ingress Protection Level: IP67 to IEC 60529:2001
(X) Special Conditions of Certification:
 Only use cell types and bulbs as specified in instructions.

UL Certification
 Flashlight for Use in Hazardous Locations
Class I, Division 1, Groups C and D. Temp class T3A
Flashlights, Models TR-24, TR-24+, TS-24, TS-24+
 are intended for use with two size D alkaline batteries
 as follows: Duracell MX1300, PC1300, Rayovac LR20,
 Energizer E95, EN95; and for use with either a Philips
 Type HPR66 halogen lamp, rated 2.4 V, 0.85 Amps. Max
 or one Philips Type HPX23 xenon lamp, rated 2.4 V, 0.93
 Amps max.

TS-24+ & TR-24+ TS-24 & TR-24			
G (Gas): T4 Ta = -20°C to +40°C	R20 ✓	LR20 ✓ Wolf H-20 Varta Universal Alkaline Varta Alkaline Value Pack Varta Electric Power Kodak Alkaline Exide Alkaline Cegasa Alkaline Duracell Alkaline Duracell Plus Duracell Procell Hi-Tech Alkaline Professional RS Alkaline Sanyo Alkaline Duracell Ultra Energizer Alkaline Energizer Industrial Eveready Gold Rayovac Maximum Pifco Optimax Alkaline	Wolf TP-404P HPX, KPR, PR: ≥2.4V, ≤0.93A ≥2.2V, ≤0.85A
G (Gas): T4 (Ta=55°C) Ta = -20°C to +55°C	R20 ✓	LR20 ✓ Wolf H-20 Duracell Ultra Energizer Alkaline Energizer Industrial Eveready Gold	e.g. HPX23, 2.4V, 0.7A Wolf TP-402P HPR: ≥2.4V, ≤0.85A
D (Dust): T95°C (Ta=55°C) Ta = -20°C to +55°C	R20 ✓	LR20 ✓	

TS-26 & TR-26 TS-26 & TR-26			
G (Gas): T6 Ta = -20°C to +40°C	R20 ✓	LR20 ✗	Wolf TP-406P PR: ≥2.4V, ≤0.5A
	Wolf T-20 Eveready Super Plus Philips Longlife Exide Super Exide Premium GP Greencell GP Supercell		e.g. PR2, 2.4V, 0.5A
D (Dust): T65°C Ta = -20°C to +40°C	R20 ✓	LR20 ✗	



WOLF ATEX SAFETY TORCH
 ATEX approved for explosive gas and dust atmospheres



OPERATION AND MAINTENANCE INSTRUCTIONS

