

## Datasheet.

### Features.

#### Extreme high sensitivity

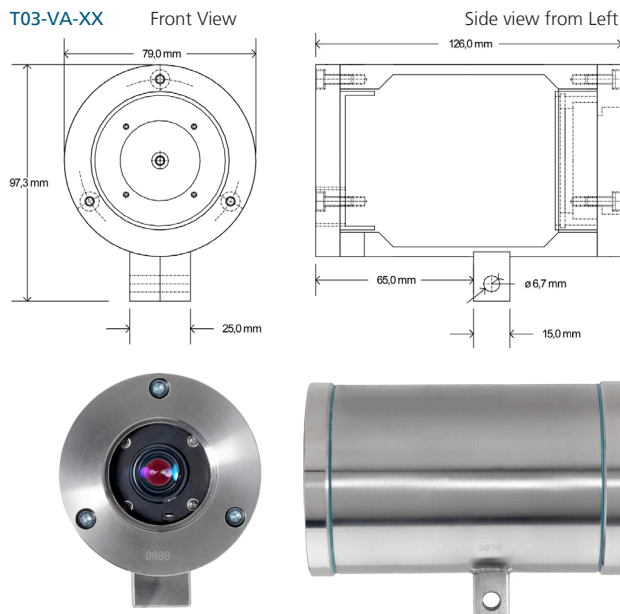
The ExCam niteZoom incorporates a newly designed 1/3-type Super HAD™ CCD II sensor that provides increased sensitivity compared to cameras featuring the 1/4-type Super HAD™ CCD.

#### Day/Night Function

The ExCam niteZoom features a Day/Night capability, which provides optimum sensitivity in both day and night shooting applications. As the scene illumination darkens, the infrared filter is automatically removed. The camera then switches to B&W mode enabling it to operate under a minimum illumination of 0.0004 lx (Auto ICR On).



### Dimension.



### Models.

T03- XX- X- XXX- X- X  
 ↓  
 N = Normal temperature (0°C bis +50°C)  
 L = Low temperature (-20°C bis +50°C)  
 ↓  
 P = Plug BNC cable termination  
 K = Terminal block cable termination  
 ↓  
 — = Connecting cable length in meters (005 bis 200)  
 ↓  
 B = Execution in explosion group IIB  
 C = Execution in explosion group IIC  
 ↓  
 VA = Stainless steel housing  
 ↓  
 T03 = ATEX camera type No. 03

**Company Info:**  
**Comm -Co**  
**Kreekzoom 9**  
**4561 GX Hulst**

**Tel: +3114-370030**  
**Fax: +3114-370029**  
**E-mail: Info@comm-co.com**  
**Website: http://www.comm-co.com**

**www.atexshop.com**  
**www.ruggedshop.nl**  
**www.webpainter.nl**  
**www.eyecctv.nl**

## Data.



### Electrical characteristics:

Camera:  
Power supply: +12VDC to +30VDC  
Reference power: +24VDC  
Input current: 270mA to 540mA  
Max. Power: 6,5W

### Heating (optional only for T03-AL..):

Power supply: +12VDC to +24VDC  
Reference power: +24VDC  
Input current: about 1000mA  
Max. power: 10W (VA)

### System cable SKA01:

Outside Diameter: 8,5mm  
Bending Radius: min. 150mm  
Video: 1x75Ω Koax AWG 24, Cu shield  
RS 232: 2x0,25mm<sup>2</sup> closed Cu shield  
Power supply camera: 2x0,75mm<sup>2</sup>  
Power supply heating: 2x0,75mm<sup>2</sup>

### Mechanical characteristic:

Housing material: Stainless steel  
Protection level: IP 67 (IEC / EN 60529)  
Weight: T03-VA-XX: about 2100g

### Range of temperature:

T03-XX-X-XXX-X-N (without Heating) 0°C to +50°C  
T03-XX-X-XXX-X-L (with Heating) -20°C to +50°C

### Camera sensor:

Sensor: 1/3-type Super HAD CCD II  
Effective sensor resolution: PAL: 440.000 Pixel (ca. 752 x 582)  
NTSC: 380.000 Pixel (ca. 768 x 494)  
Horizontal resolution: PAL: 530 TV lines wide end  
NTSC: 530 TV lines wide end

### Objektiv:

AF-Zoom objektiv: 10 x opt. / 4 x dig.  
Focal (f): 5,1mm to 51,0mm  
Angle of view: 52° (wide) to 5,4° (tele)  
Iris: F1,8 to F2,1  
Minimal illumination: 1/4 s, 1/3 s mode & ICR on: 0.0004 lx  
Recommended illumination: 0,25 to 100.000Lx  
Minimal object distance: 150mm (wide)  
800mm (tele)



### Electronic functions:

Electronic shutter  
Serial control by VISCA/RS-232  
Composite (CVBS) video output 1V<sub>ss</sub>  
Backlight compensation (BLC)  
IR Cut Filter (IRC)  
Auto white balance  
Aperture control (APC)  
DSP  
Signal-to-noise ratio: ≥50 dB

### Explosion protection:

Declaration of conformity : DIN EN 60079-0:2006  
DIN EN 60079-1:2004  
DIN EN 61241-0:2006  
DIN EN 61241-1:2004

EC type examination certificate: TÜV 09 ATEX 7697 X

Marking according to directive 94/9/EG:  II 2G (zone 1 and 2)  
 II 2D (zone 21 and 22)

Explosion protection (gas): Ex d IIC T6 or Ex d IIB T6  
Explosion protection (dust): Ex tD A21 IP67 T80°C  
protection level: IP 67 (IEC / EN 60529)

## Equipment.

### Mounting.



**Wall and ceiling mount adapter**  
for T03-VA-XX and T03-AL-XX  
Pan: 360°  
Tilt: 90°

### Controlling and viewing. Hardware.

#### Videoserver AXIS



..241S (Single Port – one ExCam)  
..241Q (Quad Port –four ExCam)

#### Power supply 15W-24V



International plug in power supply  
Power input: 90 - 264 V/AC  
Power supply for camera and heating

#### VISCA® control device



Control device for up to 6 ExCam

#### Monitor 19"



with analogue CVBS Input

...see further equipment on  
<http://www.samcon.eu>

**Company Info:**  
Comm -Co  
Kreekzoom 9  
4561 GX Hulst

**Tel: +3114-370030**  
**Fax: +3114-370029**  
**E-mail: [Info@comm-co.com](mailto:Info@comm-co.com)**  
**Website: <http://www.comm-co.com>**

**[www.atexshop.com](http://www.atexshop.com)**  
**[www.ruggedshop.nl](http://www.ruggedshop.nl)**  
**[www.webpainter.nl](http://www.webpainter.nl)**  
**[www.eyecctv.nl](http://www.eyecctv.nl)**