

M1860

18.5" Fanless Medical Infotainment Terminal



Features

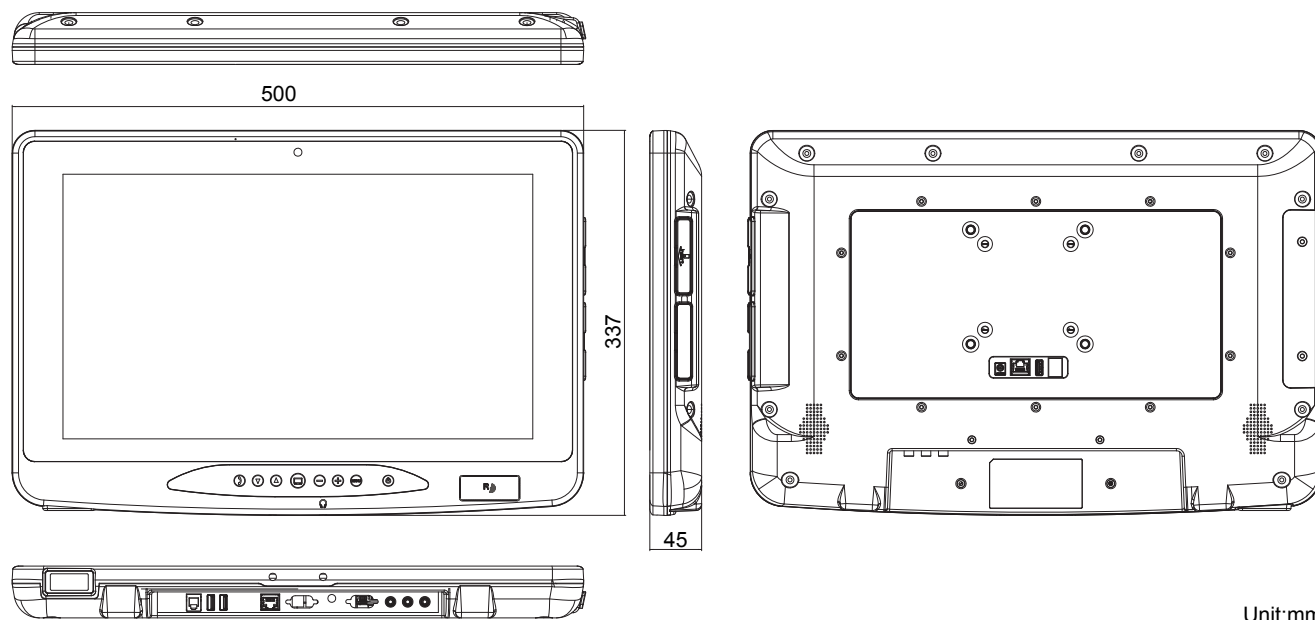
- Flush Front Bezel ID Design
- Android fanless medical terminal with TI OMAP™ 4470 Cortex™-A9
- 18.5" LCD with 10-point Projected Capacitive Multi-Touch
- Applicable for Bedside Infotainment, Self-registration
- IEC60601-1 (3rd edition), EN60601-1 (3rd edition), EN60601-1-2 certified
- UL60601-1 compliant
- Ventless Design, Water-proof, Dust Resistant
- Patient Identification Through Integrated RFID & NFC, Barcode Scanner and Smart Card Reader

System	
CPU	Soldered onboard TI OMAP™ 4470 Cortex™-A9 dual-core 1.5 GHz
Memory	Soldered onboard 1GB LPDDR2
Storage	Soldered onboard 8GB eMMC Flash
Peripherals and Devices	
WLAN & Bluetooth	1 x WLAN 802.11 a/b/g/n & Bluetooth 2.1 + EDR, class 2
Smart Card Reader	1 x Smart Card Reader slot
Camera	1 x 2.0 MP front-facing CCD camera
Barcode Scanner	1 x 1D/2D Barcode Scanner (optional)
Phone	1 x VoIP phone blower (optional)
RFID & NFC	1 x 13.56MHz RFID & NFC reader with ISO 14443A/14443B/15693 support (optional)
I/O Interface	
Audio	2 x 3W speakers, 1 x built-in microphone 1 x Mic-in, 1 x speaker-out on bottom Line
LAN	2 x RJ-45 GbE connectors (one on bottom Line, and the other on rear panel)
Serial Port	1 x RS-232 port on bottom Line (DB-9 connector)
USB Port	2 x USB 2.0 ports 1 x Micro USB 2.0 ports
SD Slot	1 x SD card slot
Button & Indicator	
Button	1 x Power on/off button 1 x Menu button 1 x Brightness up button 1 x Brightness down button 1 x Touch and LCD on/off button 1 x Volume up button 1 x Volume down button 1 x Phone on/off button
Touch Screen	
Type	10-point Projected Capacitive Multi-Touch (Flush-mounted)
Light Transparency	80% (typ.)
Controller Interface	USB interface

LCD Display	
Size/Type	18.5" TFT color LCD
Max. Resolution	1366 x 768 (WXGA) with 16.7M colors
Luminance	250 nits (typ.)
Contrast Ratio	1000 : 1 (typ.)
Backlight Type	LED
View Angle (U/D/R/L)	80°/80°/85°/85° (typ.)
Power Requirement	
Adapter Input	100 ~ 240 VAC (full range)
Adapter Output	DC 20V, 3.25A, 65W (Max.) with medical certificate
Mechanical & Environmental	
Operating Temp.	0 ~ 40°C (32 ~ 104°F)
Storage Temp.	-20 ~ 60°C (-4 ~ 140°F)
Operating Humidity	10 ~ 95% @ 40°C (non-condensing)
Dimensions (W x H x D)	500 x 337 x 45 mm (19.69" x 13.27" x 1.77")
Net Weight	5 kg (11.02 lb)
Vibration	1 Grms/ 5 ~ 500Hz/ random operation
Shock	10G/peak (11ms)
Mounting	VESA-100 compatible (M6)
IP Rating	Compliance design with IP65 (front touch panel)
Operational Altitude	Below 2000m
Regulatory	CE, FCC Class B IEC60601-1 (3 rd edition), EN60601-1 (3 rd edition), EN60601-1-2 UL60601-1 compliant
OS Support	
Android™	4.1.1
Ordering Information	
M1860	18.5" fanless TI OMAP™ 4470 Cortex™-A9 dual-core 1.5 GHz Medical PC with flush-mounted projected capacitive multi-touch screen
M1860S	18.5" fanless TI OMAP™ 4470 Cortex™-A9 dual-core 1.5 GHz Medical PC with flush-mounted projected capacitive multi-touch screen (1000 nits)



Dimensions



Standard Accessories

PAC-M065W 65W medical-grade AC/DC adapter kit



Optional Accessories

Phone-1858 VoIP phone with RJ-11 cable



ARM-Kits VESA-75/100 medical arms

Optional Configuration (CTOS* Kit) (Not Sold Separately)

RFID & NFC-1858 RFID & NFC module kit



BarC-1858 Barcode scanner module kit



*CTOS means Configure-to-Order Service.