

- Wall fan, ATEX
- 2400-17000 m<sup>3</sup>/h
- IP55



## Plate mounted explosion-proof axial fans type PLATE-M ATEX

Plate mounted axial fans with IEC motor

The range consists of 9 sizes with impeller diameter from 250 up to 700 mm

### Application

- **PLATE-M ATEX** fans are designed for installations requiring large capacities with low pressures, in applications for wall or panel fixing f.e. ventilation of commercial and industrial buildings, carparks, stock farms, cooling of electric and refrigerating equipments, etc.

### Construction

- Supporting frame with wide shaped inlet in corrosion proof material or protected against the atmospheric agents
- Motor support and safety grid, in steel rod manufactured in accordance with UNI EN 294
- Execution 5 (impeller directly coupled to motor shaft)
- Conveyed air: clean, not abrasive
- Temperature of conveyed air: -20°C / +50°C
- Air flow from motor to impeller

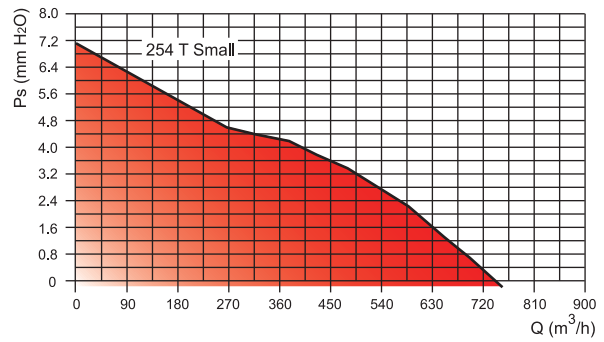
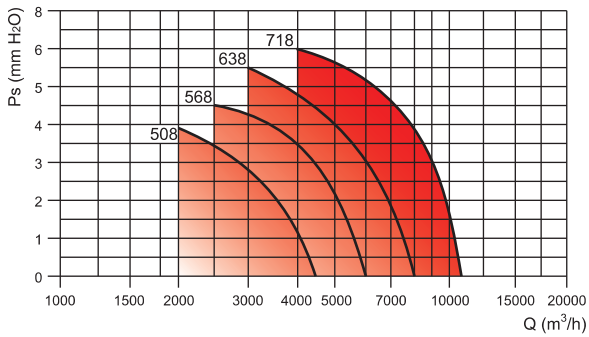
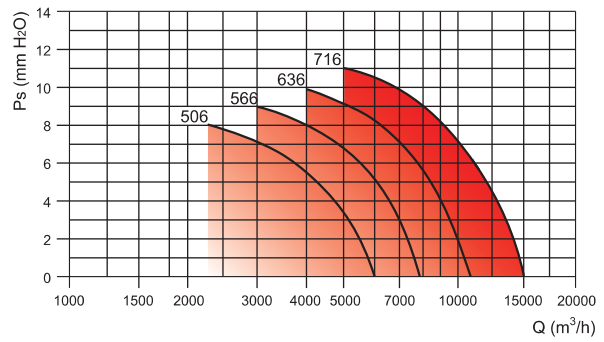
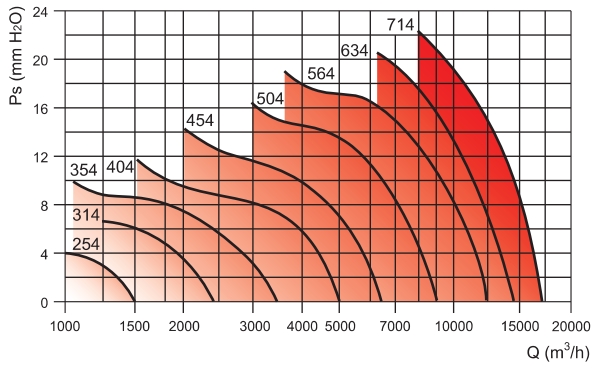
### Fan/Impeller

- Impeller with high efficiency airfoil blades in plastic material and hub in die cast aluminum alloy. Variable pitch angle install position. Balancing according to UNI ISO 1940

### Motor

- Asynchronous electric motor three or single phase, protection IP 55, class F insulated, output EFF2, service S1, form B5, construction according to IEC/ EEC ATEX APPROVED FOR EXPLOSIVE ATMOSPHERE G GROUP II.
- Voltage: Three-phase version (T) 400V-3Ph  
Single-phase version (M) 230V-1Ph
- Frequency: 50Hz

### Curves

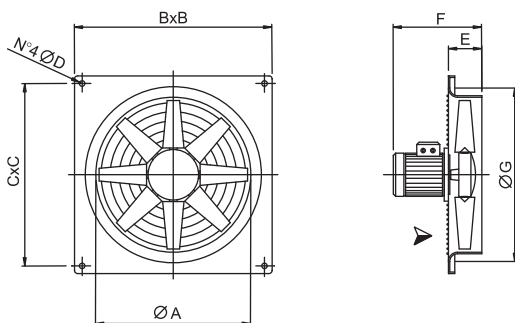


### Notes

- Ps = Pressure drop
- Q = Airflow rate
- 1 mmH<sub>2</sub>O = 9.8 Pa

### Technical specifications

	Poles	Phase	Kw	A	dB(A) @3m
254 M	4	1Ph-230V	0.04	0.50	47
314 M	4	1Ph-230V	0.09	1	50
354 M	4	1Ph-230V	0.12	1.10	54
404 M	4	1Ph-230V	0.18	1.60	59
454 M	4	1Ph-230V	0.25	2.40	65
504 M	4	1Ph-230V	0.55	4.50	66
254 T	4	3Ph-400V	0.04	0.25	47
314 T	4	3Ph-400V	0.09	0.35	50
354 T	4	3Ph-400V	0.12	0.40	54
404 T	4	3Ph-400V	0.18	0.60	59
454 T	4	3Ph-400V	0.25	0.80	65
504 T	4	3Ph-400V	0.55	1.60	66
564 T	4	3Ph-400V	0.75	2	67
634 T	4	3Ph-400V	0.75	2	72
714 T	4	3Ph-400V	1.50	3.50	76
506 T	6	3Ph-400V	0.18	0.70	55
566 T	6	3Ph-400V	0.25	1	58
636 T	6	3Ph-400V	0.37	1.30	63
716 T	6	3Ph-400V	0.75	2	65
508 T	8	3Ph-400V	0.08	0.60	48
568 T	8	3Ph-400V	0.12	0.70	52
638 T	8	3Ph-400V	0.18	0.80	57
718 T	8	3Ph-400V	0.25	1.10	58



**Dimensional data**

	WxA	BxB	CxC	ØD	E	F	WxG	Kg
<b>25</b>	260	340	300	10	90	270	315	6
<b>31</b>	310	390	350	10	110	320	365	7
<b>35</b>	360	440	400	10	110	320	410	8
<b>40</b>	410	500	450	10	110	320	465	9
<b>45</b>	460	560	510	10	110	340	510	13
<b>50</b>	510	650	580	10	110	360	570	20
<b>56</b>	570	700	630	10	130	380	630	22
<b>63</b>	640	800	730	12	130	400	700	24
<b>71</b>	710	850	800	12	130	460	770	30

Comm-Co B.V.  
 Kreekzoom 9, 4561 GX, Hulst  
 The Netherlands  
 Tel: +31 114-370030  
 Email: info@comm-co.com

**COMM-CO**  
*Communication today and tomorrow*