

Wolflite Rechargeable Safety Handlamp H-251ALED
Operation and Maintenance Instructions

GB

EU Declaration of Conformity

This product meets all relevant provisions of the 2014/34/EU Explosive Atmospheres (ATEX Equipment) Directive by virtue of the issued EU type examination certificate, demonstrating compliance with all relevant harmonised standards and essential health and safety requirements.

The Wolflite H-251ALED is a self-contained rechargeable safety handlamp, fitted with a H-79 LED centre contact, powered by a 4V, 5Ah sealed lead acid battery pack with integral intrinsic safety protection. The Wolflite H-251ALED body is moulded in high impact strength anti-static plastic.

Approval code: **II 2GD Ex Ib op is IIC T4 Gb**
Ex Ib op is IIIB T170°C Db IP66
 -20°C ≤ Ta ≤ 40°C

Approved as Group II, Category 2 apparatus for use in zones 1 and 2, potentially explosive gases, vapours and mists, and where T4 temperature class permits, and zone 21 and 22 potentially explosive dusts where the T170°C maximum surface temperature and IIIA and IIIB dust groups permits.

Notified Body: SGS FIMKO OY., P.O. Box 30 (Särkinviente 3) 00211 HELSINKI, Finland; notified body number: **0598**

EU Type examination certificate: **BAS00ATEX2176X**

'K' condition – Dust layers must be prevented from building up on the handlamp.

Harmonised standards applied: EN60079-0:2012+A11: 2013, EN60079-1:2012, EN60079-28:2015.

Ingress protection level: **IP66** to EN 60529:1992, do not immerse in water.

Alex Jackson – Managing Director Wolf Safety Lamp Company Ltd

Use of Wolflite H-251ALED

A damaged Wolflite Handlamp should be repaired in accordance with these instructions, before being put back into service.

The Wolflite Handlamp must not be opened in the hazardous area.

Before first use, charge battery for 12 hours.

The battery. The H-66 battery pack utilises a two cell lead acid system with a life of up to 500 charge/discharge cycles. This is encapsulated with an electronic circuit providing short circuit protection, deep discharge protection and mains charger failure illumination. Observe the following:

Charge before first use; recharge immediately when flat; recharge every six months when stored.

Photobiological safety
 H-251ALED Handlamps are risk group 1 – no photobiological hazard under normal behavioural limitations.

Note: Dangerous Goods Regulations, Hazardous Materials Regulations, Restricted Articles regulations: The US Dept of Transport, IATA, and CAA declare these batteries are "not regulated".

Do not recharge other than from Wolf Chargers.
Do not cut, crush, puncture or incinerate.
Dispose of only via a licensed disposal agency.

Wolflite Wiederaufladbare Sicherheitslampe H-251ALED
Gebrauchs- und Wartungshinweise

D

EU Konformitätserklärung

Dieses Produkt erfüllt alle relevanten Anforderungen der 2014/34/EU Richtlinien von explosionsgefährdeten Umgebungen (ATEX-Geräte), belegt durch die ausgestellte EU-Baumusterprüfbescheinigung, die Übereinstimmung mit relevanten harmonisierten Normen und grundlegenden Sicherheits- und Gesundheitsanforderungen darlegt.

Die Wolflite H-251ALED ist eine autarke, wiederaufladbare Sicherheitslampe mit einer H79-LED mit Mittelkontakt, betrieben von einem 4V, 5Ah abgedichteten Bleiakku mit ein-gebautem Eigensicherheitsschutz. Das Wolflite H-251ALED-Gehäuse ist in hochschlagzähem an-ristischem Kunststoff gefertigt.

Zulassungskennziffer: **II 2GD Ex Ib op is IIC T4 Gb**
Ex Ib op is IIIB T170°C Db IP66
 -20°C ≤ Ta ≤ 40°C

Zugelassen gemäß Apparategruppe II, Kategorie 2, für den Einsatz in Zonen 1 und 2, potenziell explosionsgefährdeten Gasen, Dämpfen und Dünsten, und in Übereinstimmung mit Temperaturklasse T4, und Zone 21 und 22, potenziell explosionsgefährdeter Staub, in Übereinstimmung mit der maximalen Oberflächentemperatur von T170°C und IIIA und IIIB Staubgruppen.

Benannte Stelle: SGS FIMKO OY., P.O. Box 30 (Särkinviente 3) 00211 HELSINKI, Finland; Nummer der benannten Stelle: **0598**

EU-Baumusterprüfbescheinigung: **BAS00ATEX2176X**

'K' Lage – Die Ansammlung von Staubschichten auf der Handlampe muss verhindert werden.

Geltende harmonisierte Normen: EN60079-0:2012+A11: 2013, EN60079-1:2012, EN60079-28:2015.

Schutzklasse: **IP66** nach EN 60529:1992, nicht in Wasser eintauchen.

Alex Jackson – Geschäftsführer, für Wolf Safety Lamp Company Ltd

Gebrauchshinweise für die Wolflite H-251ALED

Falls die Wolflite Handlampe defekt ist, muss sie in Übereinstimmung mit dieser Anweisung repariert werden, bevor sie wieder zum Einsatz kommt. Die Wolflite Handlampe darf in explosionsgefährdeten Bereichen nicht geöffnet werden.

Vor dem ersten Gebrauch mindestens 12 Stunden lang Batterie aufladen.

Die Batterie. Die H-66-Batterieeinheit basiert auf einem zweizelligen Bleiakku mit einer Lebensdauer von bis zu 500 vollen Lade-/Entladungszyklen. Sie beinhaltet eine integrierte Batterieschutzschaltung zur Kurzschlusssicherung. Nach dem Ausladen der Lampe zur Meldung eines eventuellen Ladegerätausfalls, Folgende Punkte sind zu beachten:

Vor dem ersten Gebrauch laden; falls leer, sofort aufladen, bei Lageraufbewahrung alle sechs Monate aufladen.

Photobiologische Sicherheit
 H-251ALED Handlampen sind Risikogruppe 1 – keine photobiologische Gefährdung unter normalen Verhaltensbeschränkungen.

Anmerkung: DGR-, HMR- und RAR-Bedingungen für den Transport gefährlicher Güter: Laut US Dept of Transport, IATA und CAA sind diese Batterien als "nicht reguliert" eingestuft.

Nur mit Wolf-Ladegeräten laden.
Nicht öffnen, zerquetschen, durchbohren oder verbrennen.
Altbatterien sind Sondermüll und müssen gemäß den aktuellen Vorschriften entsorgt werden.

Charging

Wolflite chargers must not be used in Ex areas.

Charging 'Wolflite' Handlamp H-251ALED
 The battery is charged **within the lamp body**. The H-251ALED can be switched 'ON' when charging, the lamp will not illuminate, but is set for standby power failure mode and will automatically illuminate should power to the charger be cut. Indicators show the state of charge of the battery. Red only indicates the Lamp has not made contact, the Lamp must be pushed firmly until latched in position. Green indicates main charge. Green and Red indicates fully charged. (Flashing of indicators may be observed between main and full charge).

Handlamp Chargers for H-251ALED
 Two types of Handlamp Charger are available.

Wolflite Charger C-251HV is for mains AC input voltages of 200-240 volts at 50-60 Hz. (Offshore platform voltages of 254 volts at 60 Hz), user switchable to 100-120 volts at 50-60 Hz. Failure to select the correct voltage may cause damage. Charger achieves 90% recharge in 6/7 hours. Only fit manufacturer's specified fuse. Chargers are fitted with approved plugs, refer to sales literature for details.

Wolflite Charger C-251LV is suitable for use from DC supplies of 12 to 32 volts. A full recharge from a 12 volt supply takes 20/24 hours, from a 24 volt supply full charge is achieved in 10/12 hours. The two core flex is red: Positive and red with black tracer: Negative.

Both chargers are fully automatic, stepping to a safe trickle charge after the main charge is completed.

A fully discharged battery must be charged immediately to avoid damage; the charger contacts are of extra low voltage output and short circuit protected; charger operating ambient: +10°C to +25°C. IP20 – Indoor use only.

Standby continuous long-term charging

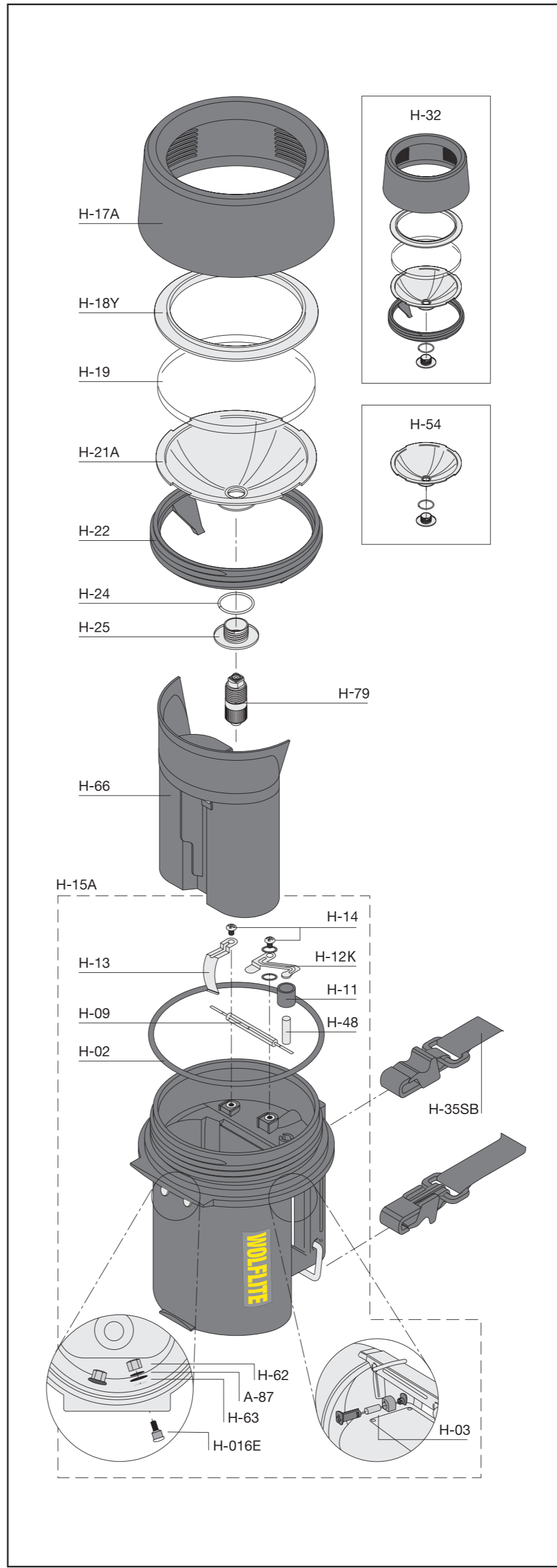
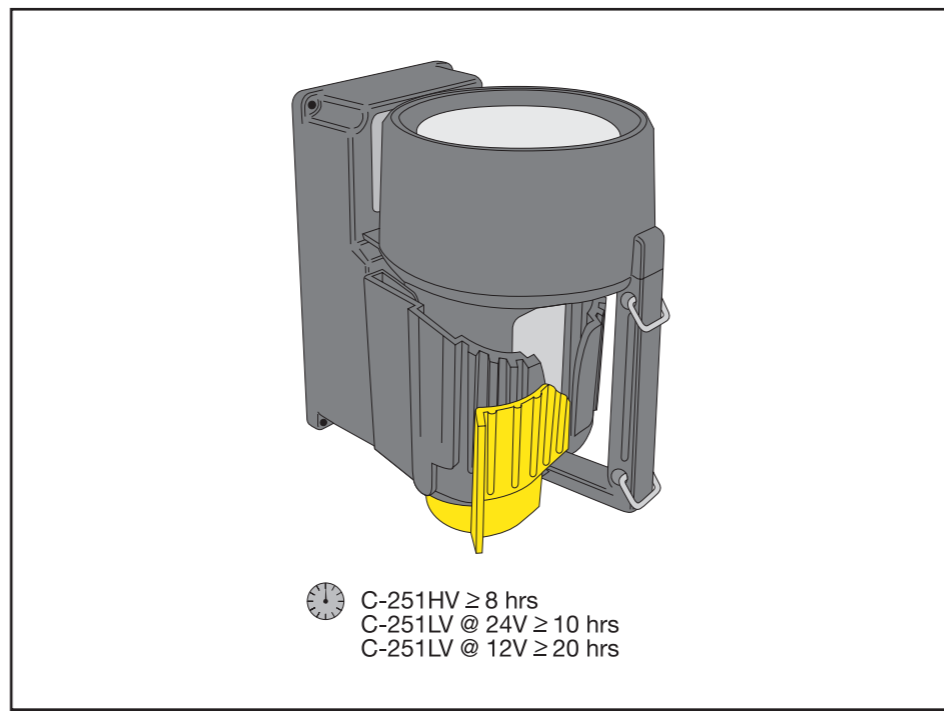
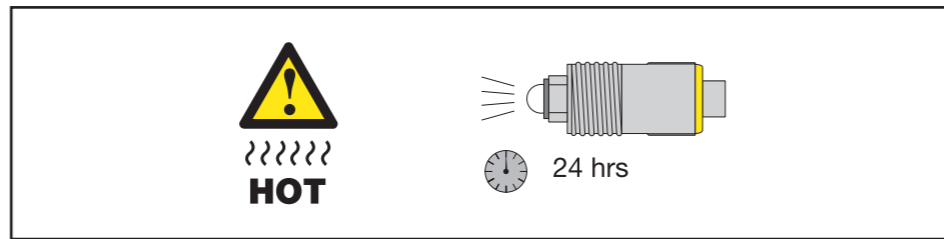
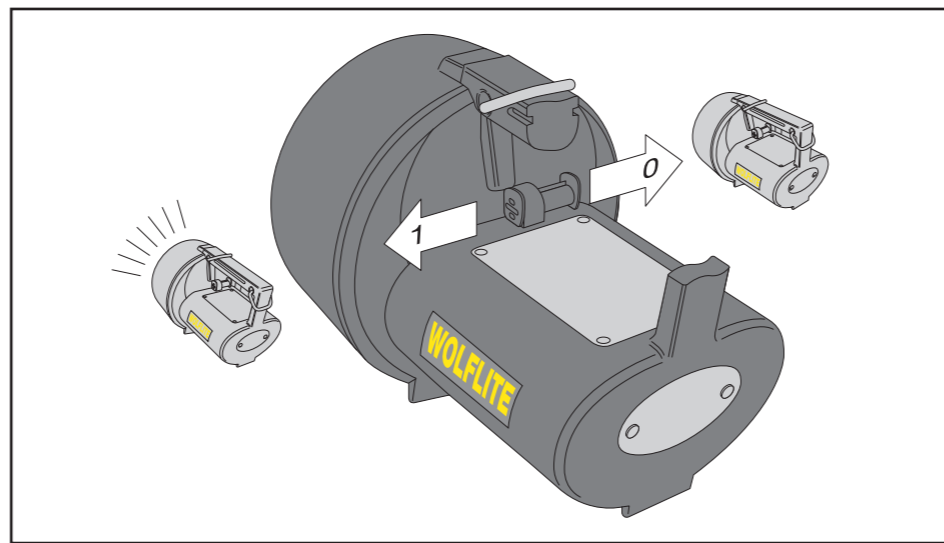
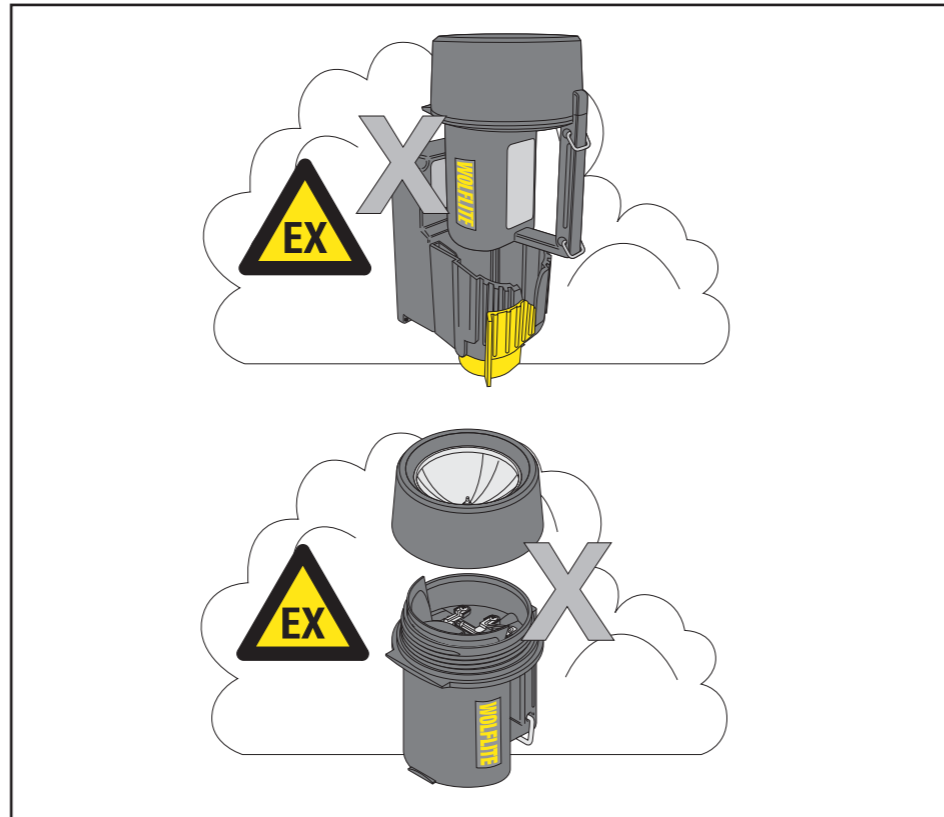
On continuous trickle charge a 'detailed' inspection of the handlamp should be carried out every 12 months, in accordance with IEC 60079-17. Particular attention should be given to evidence of terminal corrosion and resultant acid droplets that might begin to occur after 3-5 years on standby charge. If such evidence occurs, the battery should be replaced in accordance with these instructions. Battery life can be extended by up to 10 years with scheduled charging management. A typical scheduled example is 2 weeks on trickle charge, followed by 2-3 months off.

WARNING: THE WOLFLITE CHARGERS ARE DESIGNED FOR CHARGING WOLF HANDLAMPS ONLY – NO OTHER BATTERIES OR BATTERY OPERATED DEVICES ARE TO BE USED.

The Wolf Safety Lamp Co. Ltd has a policy of continuous product improvement. Changes in design details may be made without prior notice.



EN IEC 60079:-



Wolflite Rechargeable Safety Handlamp
H-251ALED Operation and Maintenance Instructions

Wolflite Rechargeable
 Safety Handlamp
 H-251ALED

GB

F

D

I

E

P

NL

GR

AR

PL



Wolflite Handlamp H-251ALED
Approval details and Spares Parts List

IECEX Certificate Scheme

IECEX Scheme Certificate Number: **IECEX BAS16.0076X**

'X' condition – Dust layers must be prevented from building up on the handlamp.

Code: Ex Ib op is IIC T4 Gb IP66
 Ex Ib op is IIIB T170°C Db
 -20°C ≤ Ta ≤ 40°C

IEC Standards Applied: IEC 60079-0:2011, IEC 60079-1:2011, IEC 60079-28:2015
 Ingress Protection Level: IP67 to IEC 60529:2001

Lloyds Type Approval

Certificate: 01/00103

Order Code	Description	Order Code	Description
A-87	Washer (each)	H-32	Lens ring assembly
H-02	'O' ring seal	H-34	Key for reflector retaining ring
H-03	Magnet switch complete	H-35SB	Detachable webbing lanyard with clips & fittings
H-09	Feed switch	H-35SB	Detachable webbing lanyard with clips & fittings
H-11	Sleeve for shorting link	H-48	Shorting link
H-12K	Shorting link contact kit	H-54	Reflector assembly
H-13	Battery contact	H-58	Handlamp wall holder
H-14	Screw for contacts (each)	H-62	Dome nut for contact (each)
H-15A	Body – complete with shown items	H-63	Sponge stud seal (each)
H-016E	Charging stud (each)	H-66	I.S. battery pack
H-17A	Lens ring with lock stop	H-79	LED centre contact (12-24V)
H-18Y	Washer for disc	C-251LV	Wolflite Handlamp Charger (12-24V)
H-19	Glass disc toughened	C-251HV	Wolflite Handlamp Charger (230/115V, UK Plug)
H-21A	Reflector	C-251HVE	Wolflite Handlamp Charger (230/115V, Euro Plug)
H-22	Reflector retaining ring		
H-24	Reflector distance piece		
H-25	LED socket		

WOLF SAFETY LAMP COMPANY
 Saxon Road Works, Sheffield S8 0YA, England
 Tel: +44 114 255 1051 Fax: +44 114 255 7988
 E-mail: info@wolfsafety.com
 Website: www.wolfsafety.com

H-135 Issue 10
 DF528

MMD/N/77K/2.19



