

ZCAM6

WEATHERPROOF THERMAL IMAGING CAMERAS

DS-042 Issue 01

ZIZCAM Ltd are a UK based manufacturer of CCTV Cameras for use in the Hazardous Oil, Gas and Petrochemical industries.

Consequently our products are very robust and designed to comply with international standards.

Please do not hesitate to contact us for further information on our products we look forward to working with you on a project soon...

ZIZCAM THERMAL IMAGING FOR NON HAZARDOUS AREAS

Single Thermal Imaging Camera option

Standard or High Definition visual camera option for dual imager

Fixed focal length or motorised zoom lens options

Optional integral window wiper mechanism

All AISI 316L Stainless Steel construction

Integral interfaces for Fibre or Ethernet

ZIZCAM moves forward the Oil & Gas Petrochemical CCTV market with a new and exciting product range.

The ZCAM6-TI range of CCTV Thermal Imaging cameras developed for use in non-hazardous areas in all offshore, onshore and marine environments. These cameras are constructed entirely from AISI 316L stainless steel for low maintenance and protection from corrosion, small in appearance, lightweight and designed for easy installation and maintenance.

Certified to IP66 and IP68 for weatherproof and dust proof environments, the ZCAM6 range provides for all requirements of low light and zero safety and surveillance monitoring for non-hazardous areas..



ZIZCAM LIMITED

email: sales@zizcam.com web: www.zizcam.com Tel: +44 (0) 115 920 2888

mail: 96 Rolleston Drive, Arnold, Nottingham, NG5 7JP United Kingdom.

©ZIZCAM LIMITED (2014) All text, drawings and photography contained within this data sheet are the property of ZIZCAM Ltd and are subject to copyright. Information may neither be transmitted or copied to third parties without the express written consent of ZIZCAM Ltd.

ZIZCAM Ltd have a policy of continuous product improvement and contents herein are liable to change without notice.



Technical Specifications

General Specifications	
Construction:	Stainless Steel AISI 316L,
Supply Voltage:	24 Volt DC 50/60Hz, (Optional factory fitted 110/220VAC PSU/transformer)
Power Consumption:	32 Watts max, 50 Watts for -60°C operation
Cable Entries:	2 x M20 or M25 gland direct entry
Weight:	5.5 to 7.5Kg depending on model
Mounting:	Swivel joint for pole top or wall mount bracket
Operating Temperature:	-20°C to +60°C standard (-40°C & -60°C option on request) -20°C to +70°C with optional cooling kit
Ingress Protection:	IP66 & IP68
Telemetry Control Receiver Driver, for wiper and washer option	
Lens Control:	Sony Visca for Zoom Module Cameras
Communication:	RS422/RS485, as standard
Protocols:	Pelco P or D as standard, or to customer specification
Auxiliary Relays:	2 x 24VDC relays for wash wipe

Thermal Imager Module :	<i>(Standard Model other models available on request)</i>	
Imager :	Uncooled VOx Microbolometer, PAL/NTSC Composite Video	
Spectral Range :	7.5 to 13.5µm, Long wave infra red (LWIR)	
Resolution :	324 x 256 pixels	640 x 512 pixels
Lens options :	50mm 9.1° HFOV (standard), 35mm 13° HFOV, 25mm 18° HFOV,	50mm 12.4° HFOV (standard), 35mm 18° HFOV, 25mm 25° HFOV,
Digital Zoom:	2x, 4x and continuous	2x, 4x, 8x and continuous

Dual Imager CCD Block Camera Module :	<i>(Standard Model, other models available on request)</i>
Imager :	1/4" EXview HAD CCD, PAL/ NTSC, WDR, Day Night, Auto IR Cut filter
Resolution :	550 TV Lines, Wide Dynamic Range (WDR)
Zoom Lens :	36x Optical, f=3.4 to 122.4mm, Autofocus
Day/Night Colour/Mono :	Auto/manual ICR, IR Cut filter removal mode.
Colour Sensitivity :	1.4Lux 1/50sec, 0.1Lux 1/3sec
B/W sensitivity:	0.01Lux Mono 1/3sec

ZIZCAM LIMITED
 email: sales@zizcam.com web: www.zizcam.com Tel: +44 (0) 115 920 2888
 mail: 96 Rolleston Drive, Arnold, Nottingham, NG5 7JP United Kingdom.

©ZIZCAM LIMITED (2014) All text, drawings and photography contained within this data sheet are the property of ZIZCAM Ltd and are subject to copyright. Information may neither be transmitted or copied to third parties without the express written consent of ZIZCAM Ltd.

ZIZCAM Ltd have a policy of continuous product improvement and contents herein are liable to change without notice.



Models

ZCAM6-TI	Fixed Camera, medium length, complete with Thermal Imager, heater demister, sunshield.
ZCAM6-TI-W	Fixed Camera, medium length, complete with Thermal Imager, integral window wiper, heater demister, sunshield.
ZCAM3-TIL-W	Fixed Camera, Long length, complete with Thermal Imager, integral window wiper, heater demister, sunshield.
ZCAM3-TIL	Fixed Camera, Long length, complete with Thermal Imager, heater demister, sunshield.
ZCAM3-DI	Fixed Dual imaging camera, medium length, complete with visual camera module and thermal imager, heater demister, sunshield.
ZCAM3-DI-W	Fixed Dual imaging camera, medium length, complete with visual camera module and thermal imager, heater demister, sunshield and integral window wiper.
ZCAM3-DIL	Fixed Dual imaging camera, Long length, complete with visual camera module and thermal imager, heater demister, sunshield.
ZCAM3-DIL-W	Fixed Dual imaging camera, Long length, complete with visual camera module and thermal imager, heater demister, sunshield and integral window wiper.

ZIZCAM LIMITED

email: sales@zizcam.com web: www.zizcam.com Tel: +44 (0) 115 920 2888

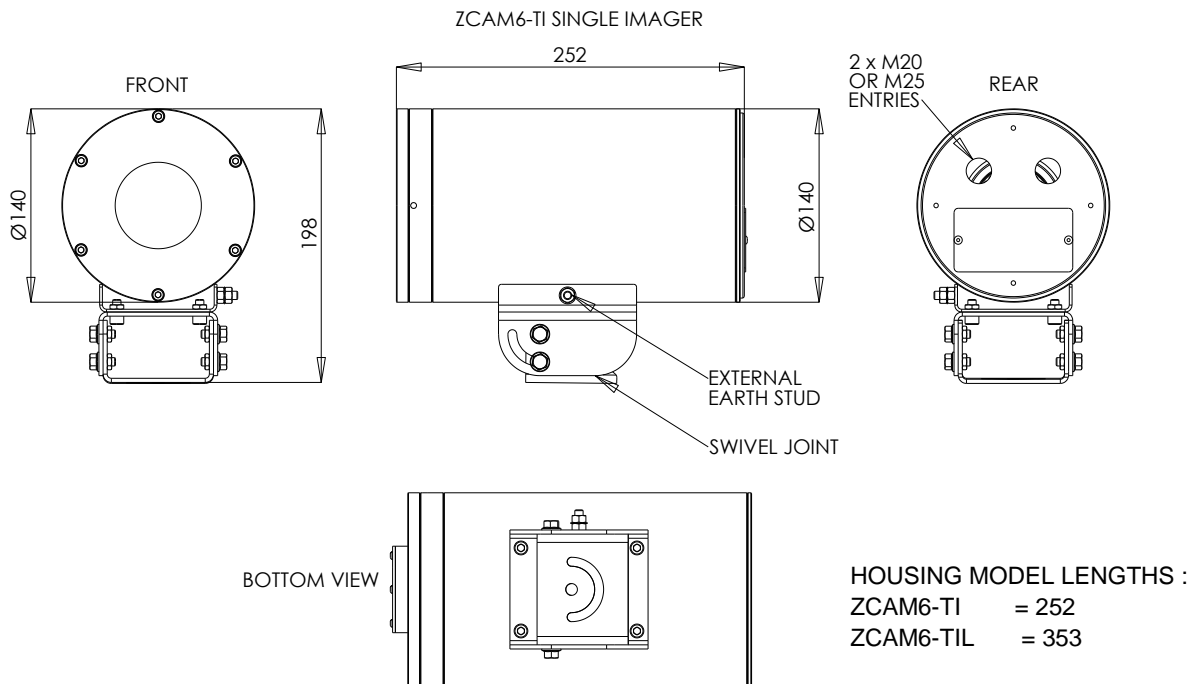
mail: 96 Rolleston Drive, Arnold, Nottingham, NG5 7JP United Kingdom.

©ZIZCAM LIMITED (2014) All text, drawings and photography contained within this data sheet are the property of ZIZCAM Ltd and are subject to copyright. Information may neither be transmitted or copied to third parties without the express written consent of ZIZCAM Ltd.

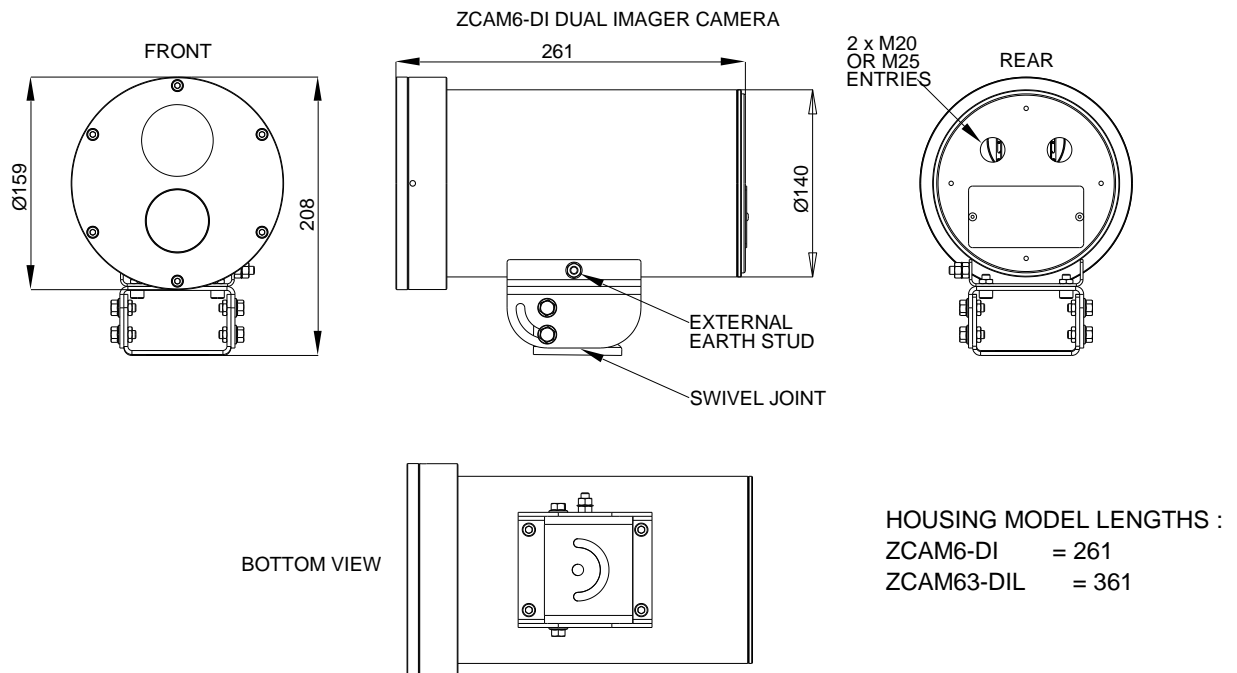
ZIZCAM Ltd have a policy of continuous product improvement and contents herein are liable to change without notice.



Single Imager Dimensions



Dual Imager Dimensions



ZIZCAM LIMITED

email: sales@zizcam.com web: www.zizcam.com Tel: +44 (0) 115 920 2888

mail: 96 Rolleston Drive, Arnold, Nottingham, NG5 7JP United Kingdom.

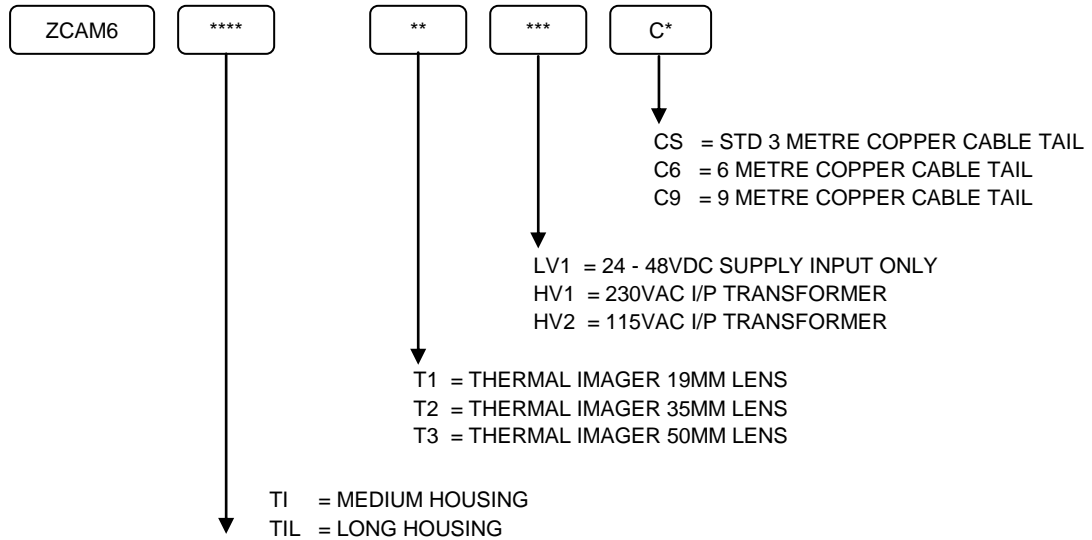
©ZIZCAM LIMITED (2014) All text, drawings and photography contained within this data sheet are the property of ZIZCAM Ltd and are subject to copyright. Information may neither be transmitted or copied to third parties without the express written consent of ZIZCAM Ltd.

ZIZCAM Ltd have a policy of continuous product improvement and contents herein are liable to change without notice.

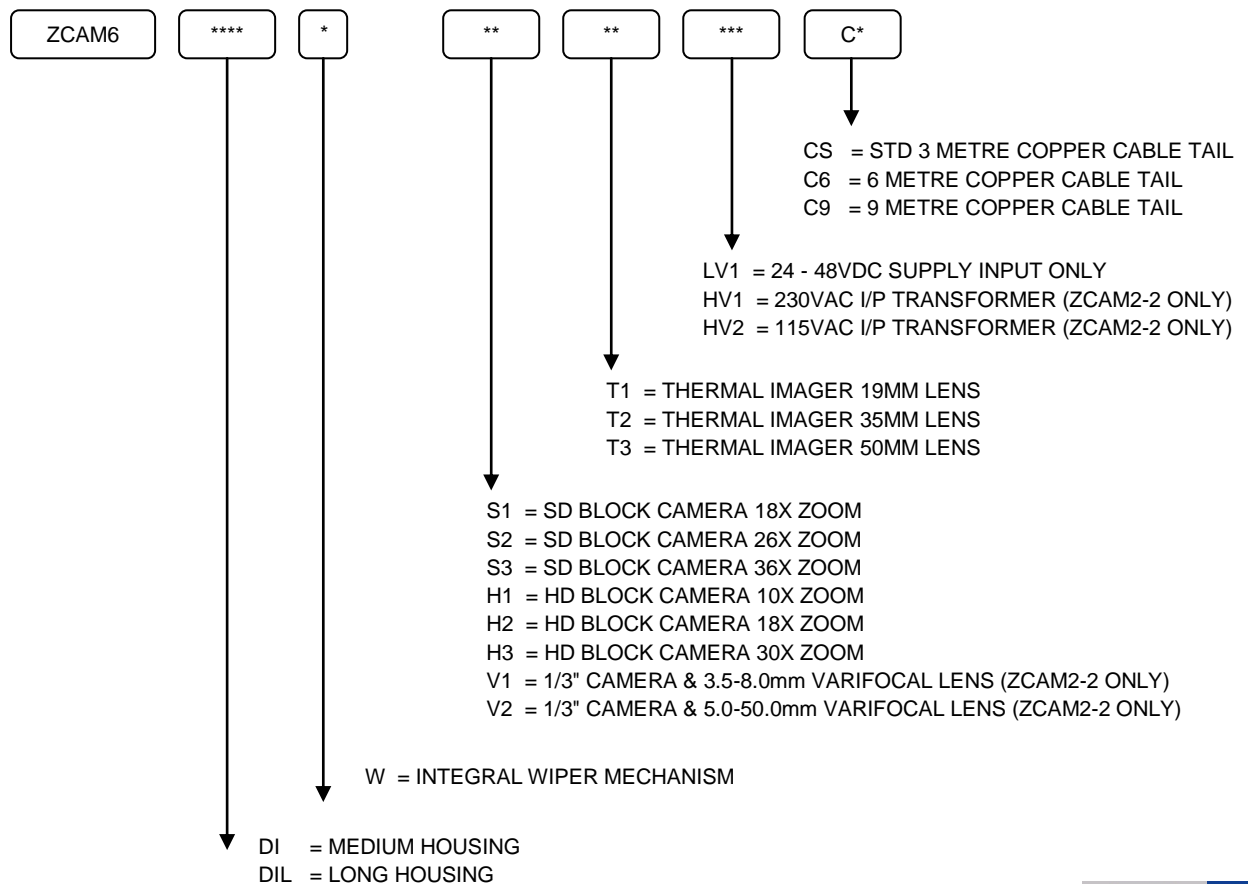


Part number configuration

Single Imager Housing models



Dual Imager Housing models



ZIZCAM LIMITED

email: sales@zizcam.com web: www.zizcam.com Tel: +44 (0) 115 920 2888

mail: 96 Rolleston Drive, Arnold, Nottingham, NG5 7JP United Kingdom.

©ZIZCAM LIMITED (2014) All text, drawings and photography contained within this data sheet are the property of ZIZCAM Ltd and are subject to copyright. Information may neither be transmitted or copied to third parties without the express written consent of ZIZCAM Ltd.

ZIZCAM Ltd have a policy of continuous product improvement and contents herein are liable to change without notice.

