

EXPLOSION PROOF LIGHT



20W/40W/60W/80W/100W
150W/180W/200W/250W/300W/400W

A Series

Venas Co.,Ltd

Flat/Rm 1101D,11/F Lippo Sun Plaza 28, Canton Road, Tsim Sha Tsui, HongKong
www.venas.com

VENAS

■ APPLICATIONS

Oil and Gas industry

- All petroleum production and refining
- Petroleum loading and transportation
- Petroleum storage and retail
- LNG industry
- All mining operations and service

Chemical industry

- All types of paint facilities
- Chemical production and storage

Ocean, marine and aerospace field

- Ocean platform operation facilities and structure
- Aerospace clean room and production
- Ocean vessel operations

Metal treatment

- Steel and aluminum factories
- Pumping stations in any environment
- Metal smelting, foundry and fabrication

Food and alcohol industry

- Flour and fine particle production and storage
- Food and distilling production
- Alcohol industry

Other high humidity, high dust, high temperature, vapor locations





A2

A

A3

A4



■ EXPLOSION PROTECTION

Marking ATEX

II 3 G Ex ec IIC T3 Gc
 II 2 D Ex tb IIIC T103°C Db
 Ex IIC Ex mb eb IIC T3 Gb
 II2 Ex tb IIC T125°C Db

Marking IECEx

Ex ec IIC T3C Gc
 Ex tb IIIC T103°C Db
 Ex mb eb IIC T3 Gb
 Ex tb IIC T125°C Db

Marking UL844 (North American)

Class I, Division 2, Groups A, B, C, D
 Class II, Division 1, Groups E, F, G
 Class II, Division 2, Groups F, G
 Class III

Marine Marking

UL 1598, UL1598A
 ABS
 Other Rating
 IP 66

■ MATERIALS

- Housing: Copper-free aluminum
- Lens: Tempered glass
- Hardware: Stainless steel
- Mounting Bracket: Stainless steel

LIGHT DISTRIBUTION

Center Beam fc	Beam Width	
4ft	2008fc	4ft
8ft	480fc	7ft
12ft	203fc	11ft
16ft	116fc	15ft
20ft	88fc	19ft

■ Vert, Spread: 40°
 ■ Horiz, Spread: 40°

40D

Center Beam fc	Beam Width	
4ft	1434fc	6ft
8ft	343fc	11ft
12ft	145fc	17ft
16ft	81fc	22ft
20ft	69fc	27ft

■ Vert, Spread: 60°
 ■ Horiz, Spread: 60°

60D

Center Beam fc	Beam Width	
4ft	1024fc	8ft
8ft	255fc	15ft
12ft	105fc	24ft
16ft	58fc	32ft
20ft	39fc	39ft

■ Vert, Spread: 90°
 ■ Horiz, Spread: 90°

90D

Center Beam fc	Beam Width	
4ft	683fc	11ft
8ft	170fc	21ft
12ft	73fc	32ft
16ft	39fc	43ft
20ft	26fc	53ft

■ Vert, Spread: 120°
 ■ Horiz, Spread: 120°

120D

■ FEATURES

- Working Temperature: -40°C ~ +55°C.
- High quality SMT LED and Meanwell Driver.
- Heavy-duty and high impact resistance.
- Replaceable LED board and drivers.
- Integrated junction box for driver .
- Dimmable and battery back up function available.
- Marine rating powder coated finish treatment.
- Up to 5 years warranty .
- Various installation ways for different applications.
- Glass lens or polycarbonate lens to make different beam angles.



■ SPECIFICATION

Product Number	Wattage	ColorTemperature	Voltage	Lumens	Warranty	CRI	Emergency Time
EX-20W A2YZDA	20W	2200K-7000K	AC100-277V/DC12-48V	2800	5 Years	80	3 Hours
EX-40W A2YZDA	40W			5600			
EX-60W A2YZDA	60W			8400			
EX-80W AYZDA	80W	2200K-7000K	AC100-277V/DC12-48V	11200	5 Years	80	3 Hours
EX-100W AYZDA	100W		AC200-480V	14000			
EX-150W A3YZDA	150W	2200K-7000K	AC100-277V/DC12-48V	21000	5 Years	80	3 Hours
EX-180W A3YZDA	180W		AC200-480V	25200			
EX-200W A3YZDA	200W		28000				
EX-150W A4YZDA	150W	2200K-7000K	AC100-277V/DC12-48V	21000	5 Years	80	3 Hours
EX-180W A4YZDA	180W		AC200-480V	25200			
EX-200W A4YZDA	200W		28000				
EX-250W A4YZDA	250W		35000				
EX-300W A4YZDA	300W		42000				
EX-400W A4YZDA	400W		56000				

“A,A2,A3,A4”=Product code.“Y”=D or N D:Dimmable or N: non-dimmable “Z”=CCT, from 2200-7000k, 22 for 2200k...70 for 7000K.

“D”=Beam angle, D40 for 40°, D60 for 60°, D90 for 90°, D120 for 120°.

“A”=glass type. blank for flat glass, C for spherical glass.

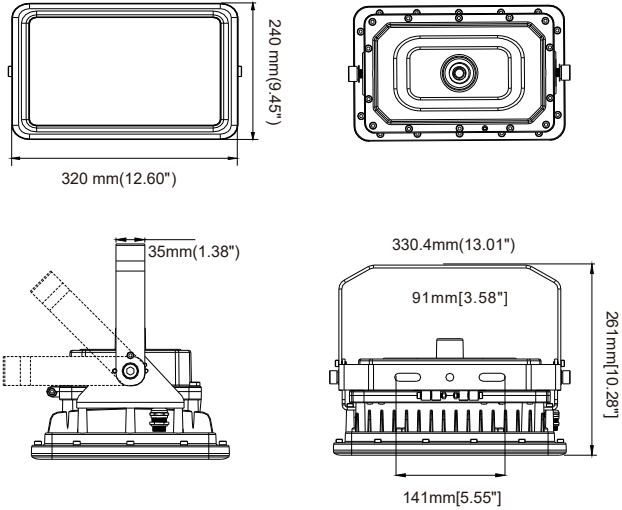
■ PACKING INFORMATION

Model	Quantity/Carton	Length(mm)	Width(mm)	Height(mm)	Net weight(kg)	Gross weight(kg)
A2	1	365mm	270mm	305mm	4.15kg	5.3kg
A	1	375mm	340mm	215mm	6.95kg	7.9kg
A3	1	485mm	340mm	365mm	8.3kg	10.3kg
A4	1	350mm	470mm	400mm	15.1kg	17kg

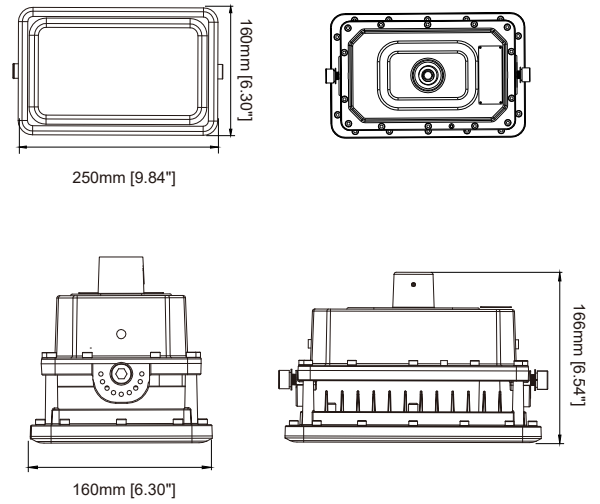
DIMENSION

Unit: mm or inch

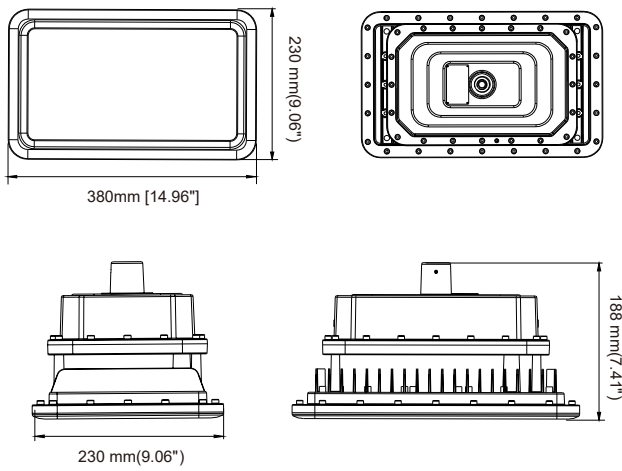
A Series



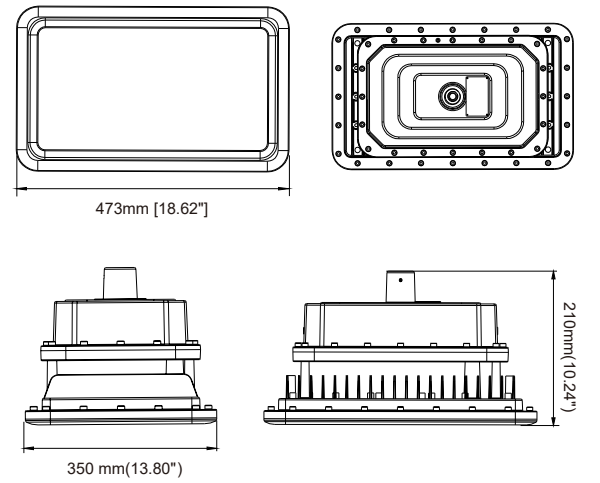
A2 Series



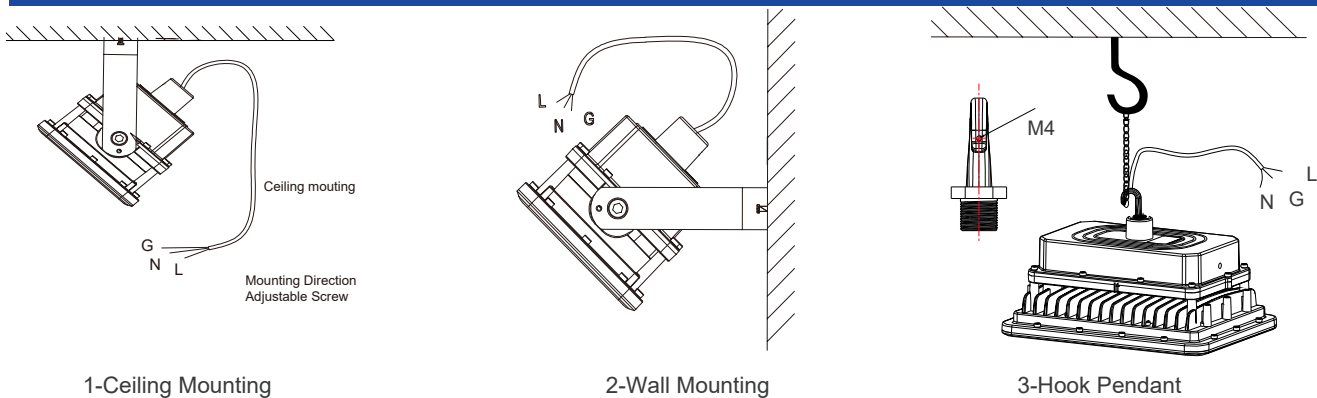
A3 Series



A4 Series



MOUNTING METHODS

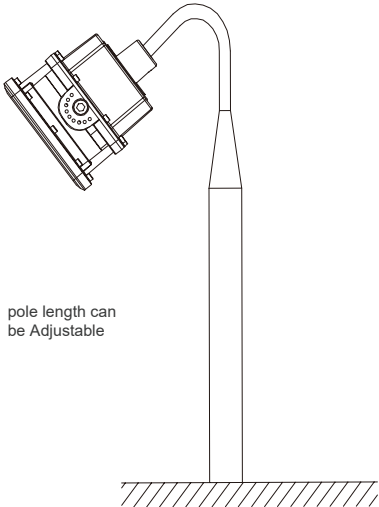
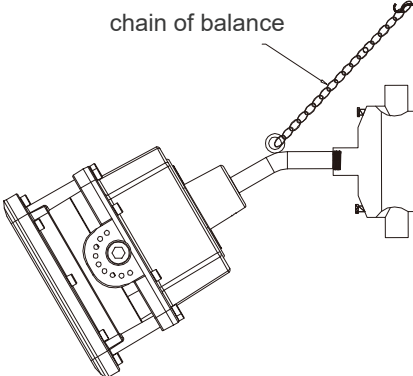
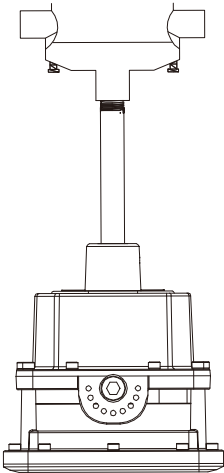


1-Ceiling Mounting

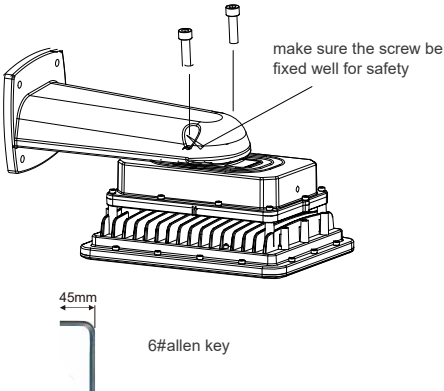
2-Wall Mounting

3-Hook Pendant

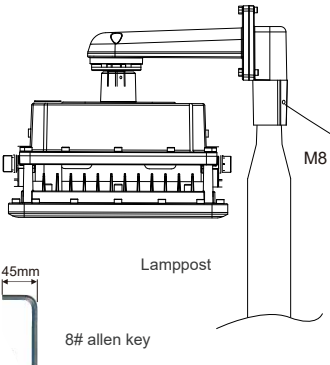
MOUNTING METHODS



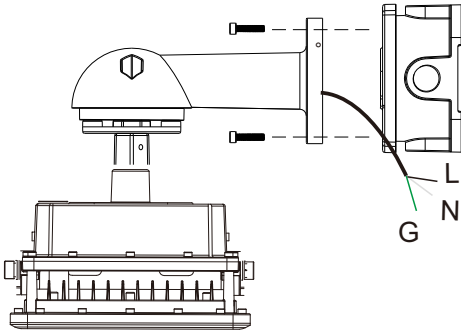
4-Pole Mounting



5-Arm Mounting



6-Stanchion Mounting



7-Wall Mounting with junction box

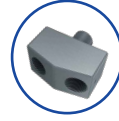
■ ACCESSORIES



- **Model: Ex-Junction01**
Name: Junction Box
Material: Aircraft Aluminum A383



- **Model: Ex-25PSupport**
Name: 25 Degree Pole Support
Material: Aircraft Aluminum A383



- **Model: Ex-D01**
Name: Pendant Direction Adapter
Material: Aircraft Aluminum A383



- **Model: Ex-WPipe**
Name: Winding Swing Pipe
Material: Iron with Power Coating



- **Model: Ex-25JSupport**
Name: 25° Arm with Junction Box
Material: Aircraft Aluminum A383



- **Model: Ex-90PSupport**
Name: 90 Degree Pole Support
Material: Aircraft Aluminum A383



- **Model: Ex-MArm**
Name: Surface Mounting Arm
Material: Aircraft Aluminum A383



- **Model: Ex-25ASupport**
Name: 25° Arm Support
Material: Aircraft Aluminum A356



- **Model: Ex-DArm**
Name: Direct Mounting Arm
Material: Aircraft Aluminum A383



- **Model: Ex-90JSupport**
Name: 90° Arm with Junction Box
Material: Aircraft Aluminum A383



- **Model: Ex-Conduit01**
Name: Metal Conduit
Material: Stainless Steel and Aluminum



- **Model: Ex-90ASupport**
Name: 90° Arm Support
Material: Aircraft Aluminum A356



- **Model: Ex-Hook**
Name: Installation Hook
Material: Aircraft Aluminum A383



- **Model: Ex-SPipe**
Name: Winding Swing Pipe
Material: Iron with Power Coating